

Sectional Views

What is a sectional View?

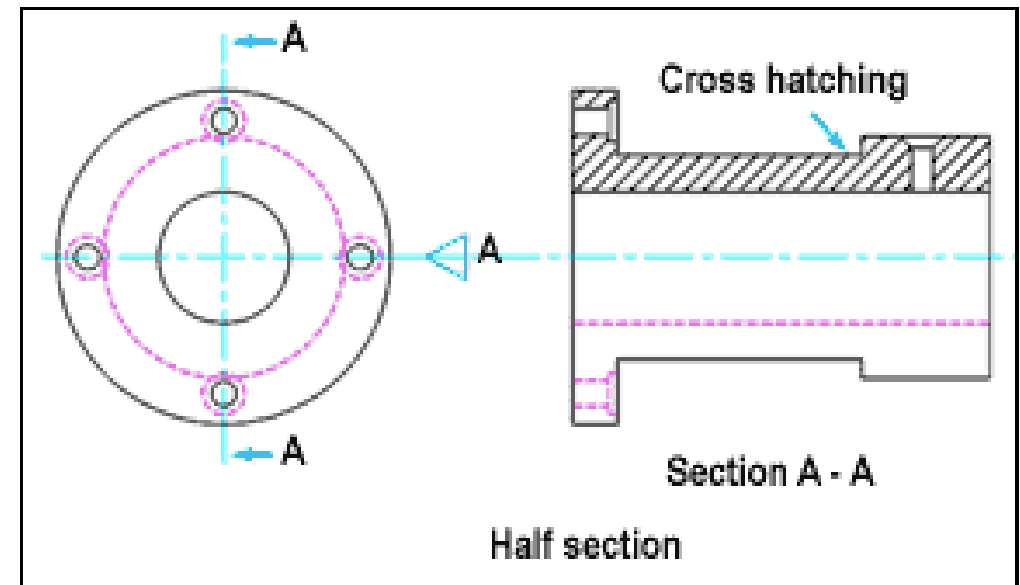
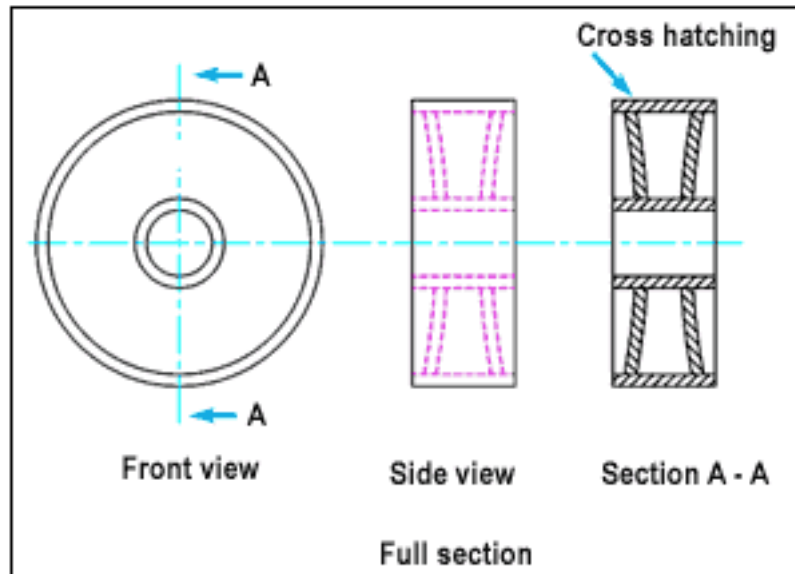
A sectional view represents the part of an object which remains after a portion has been removed. It is used to reveal interior details.

Rules on Sectioning

1. Do not section the following;
 - Webs
 - Shafts
 - Bolts
 - Pins
2. There are NO hidden lines in sectional views
3. Hatching lines are equally spaced at a 45 degree angle.

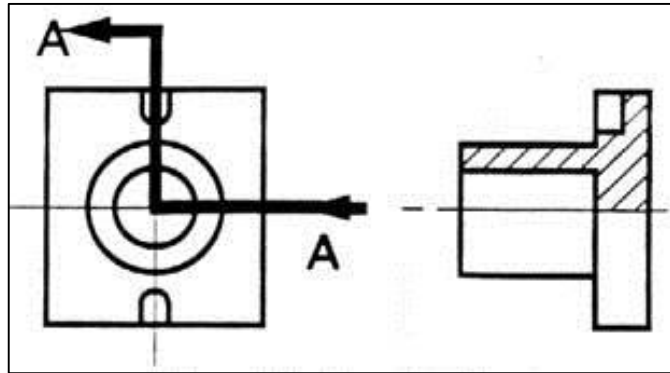
Sectional Views

Types of sectional views

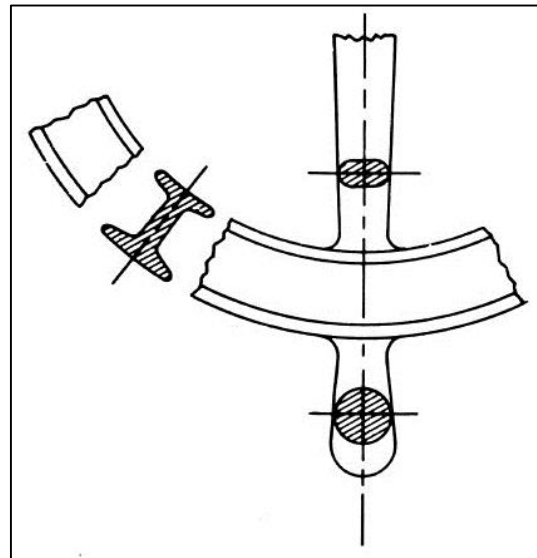


Sectional Views

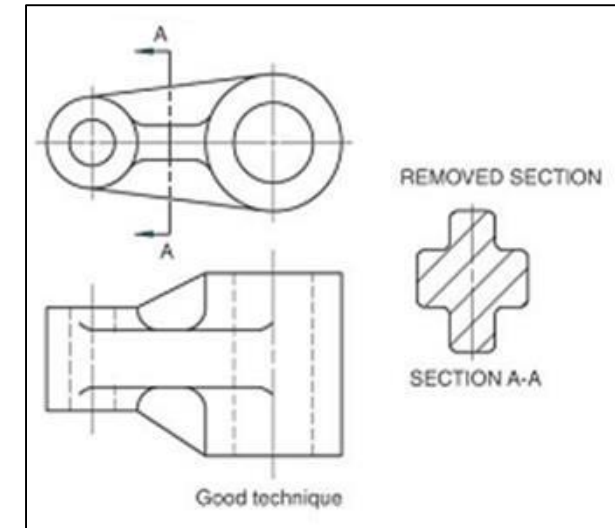
Types of sectional views



Stepped Section



Revolved Section



Removed Section

Sectional Views

Types of sectional views

Part Section:

