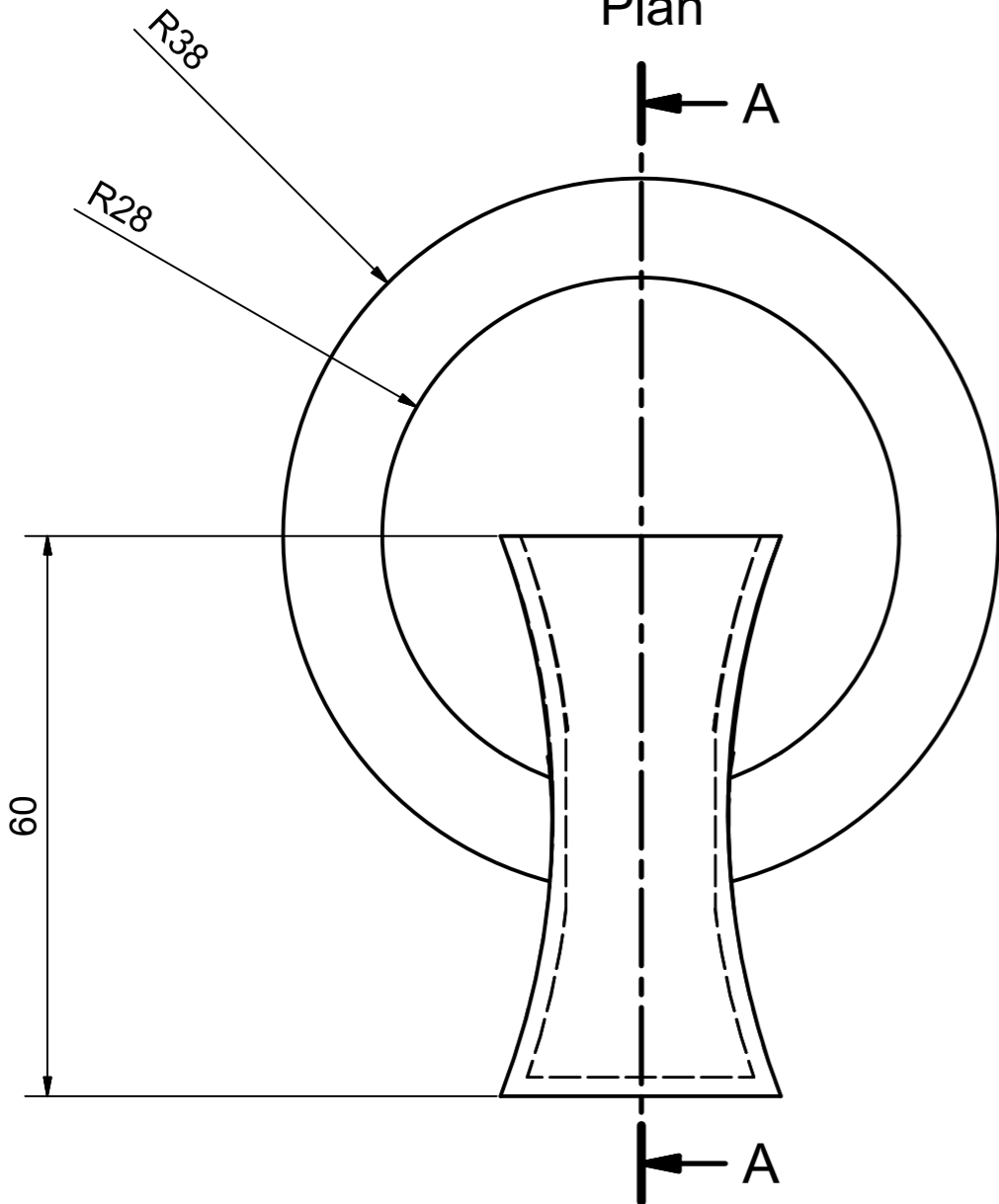
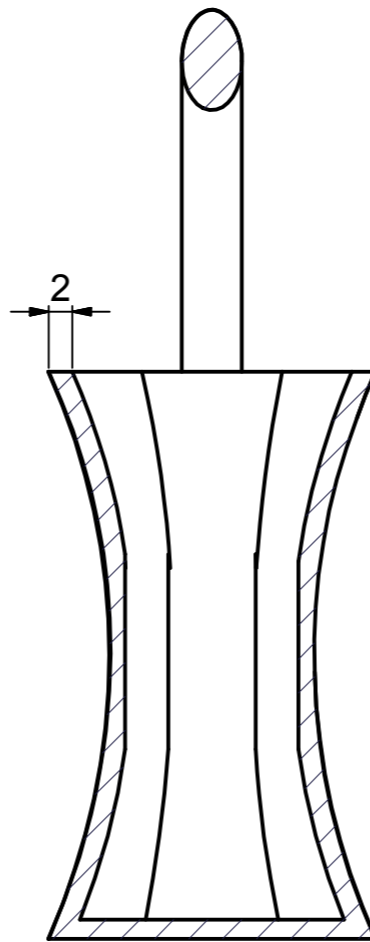


Plan

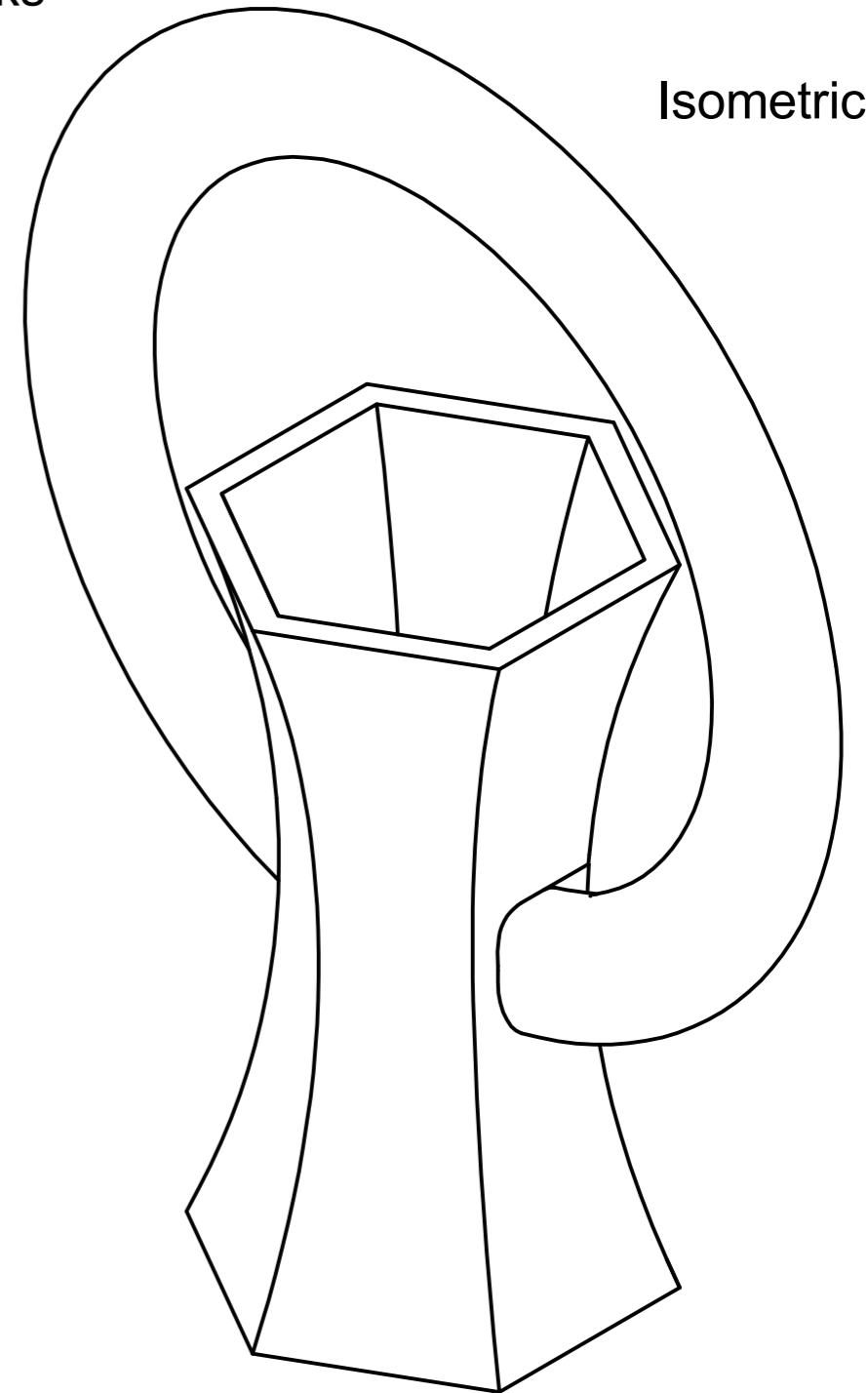
Describe how this component could be modelled.
(Include all sizes) 10 Marks



Front Elevation



Sectional End Elevation



Isometric

Calderglen High School
Technical Department

Title:

Homework
(Modelling 4)

Name:

Scale:

Date:

