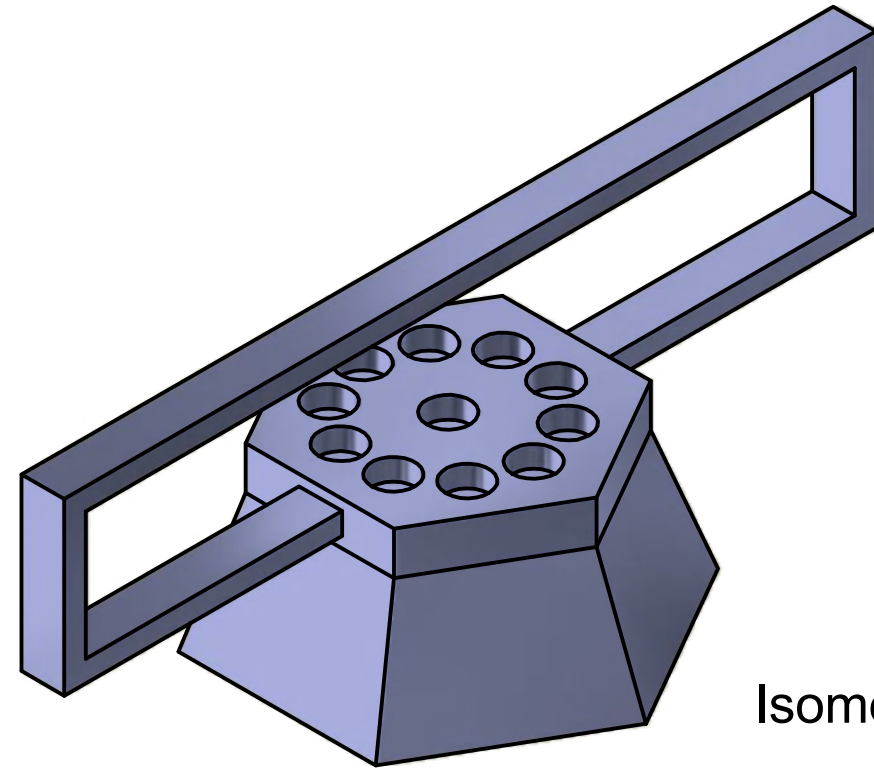
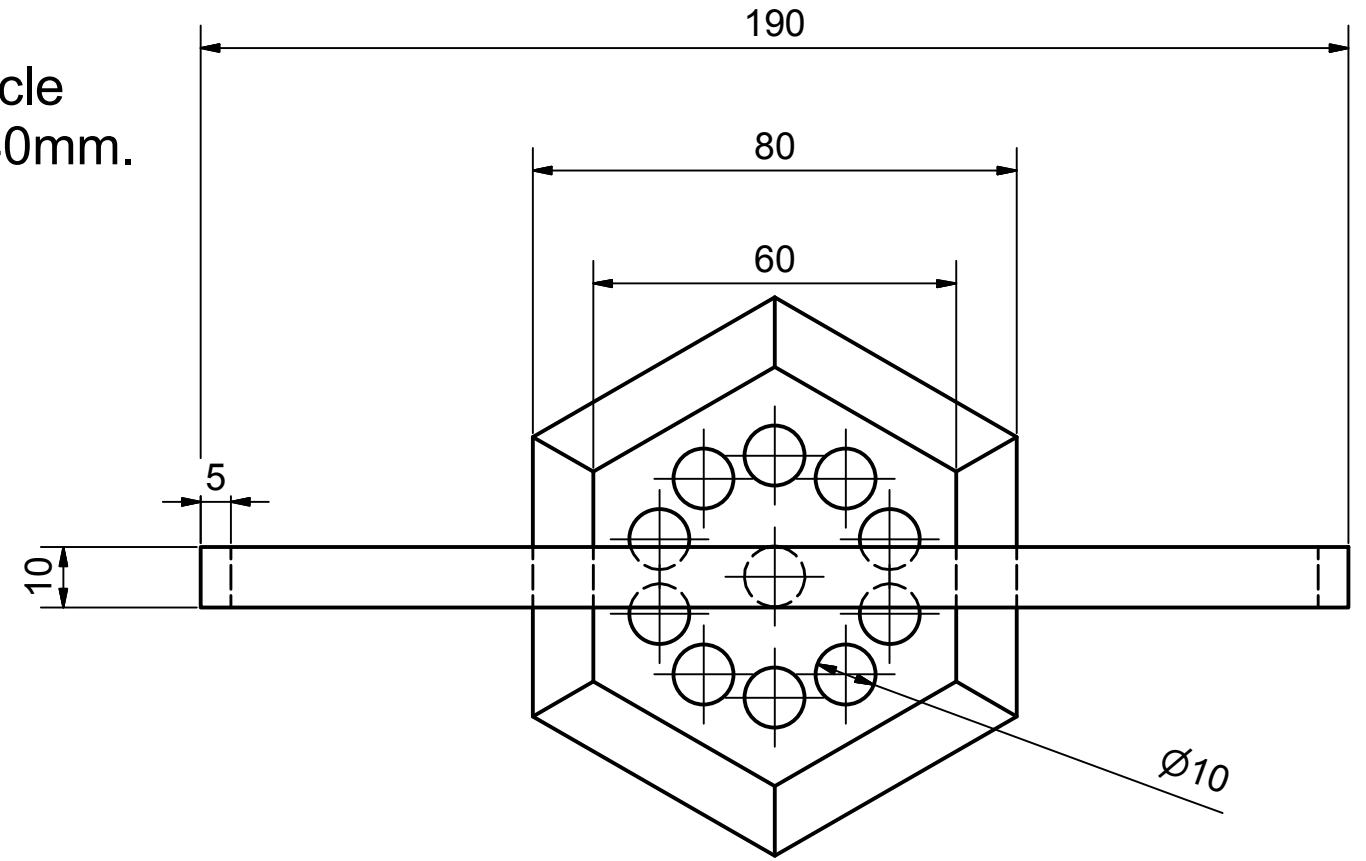


Describe how this component could be modelled
(Include all sizes) '10 marks'

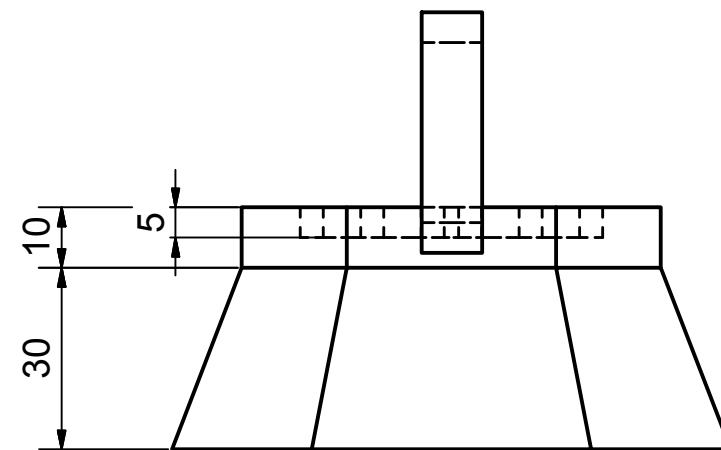


Isometric

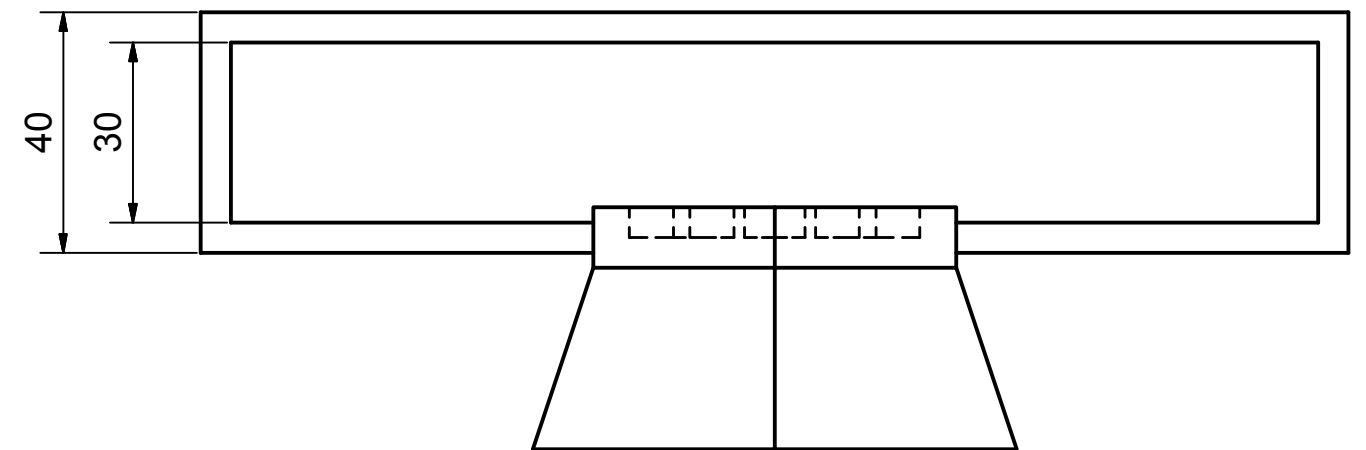
Pitch circle diameter 40mm.



Plan



End Elevation



Front Elevation

Calderglen High School
Technical Department

Title:

Homework
(Modelling 3)

Name:

Scale:

Date:

