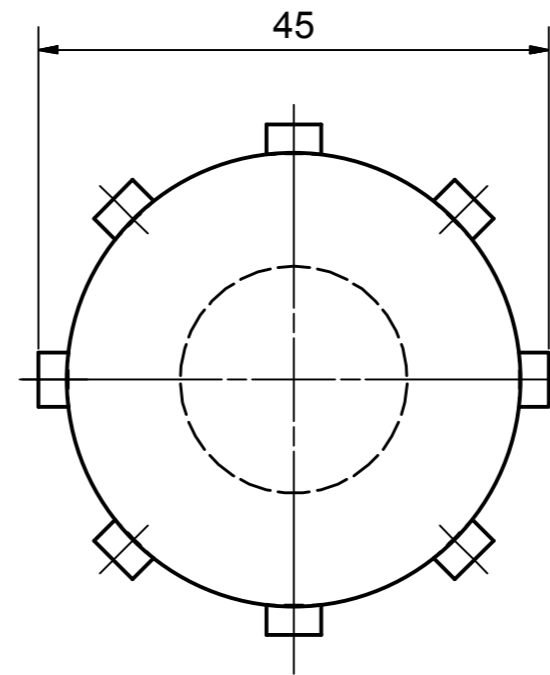
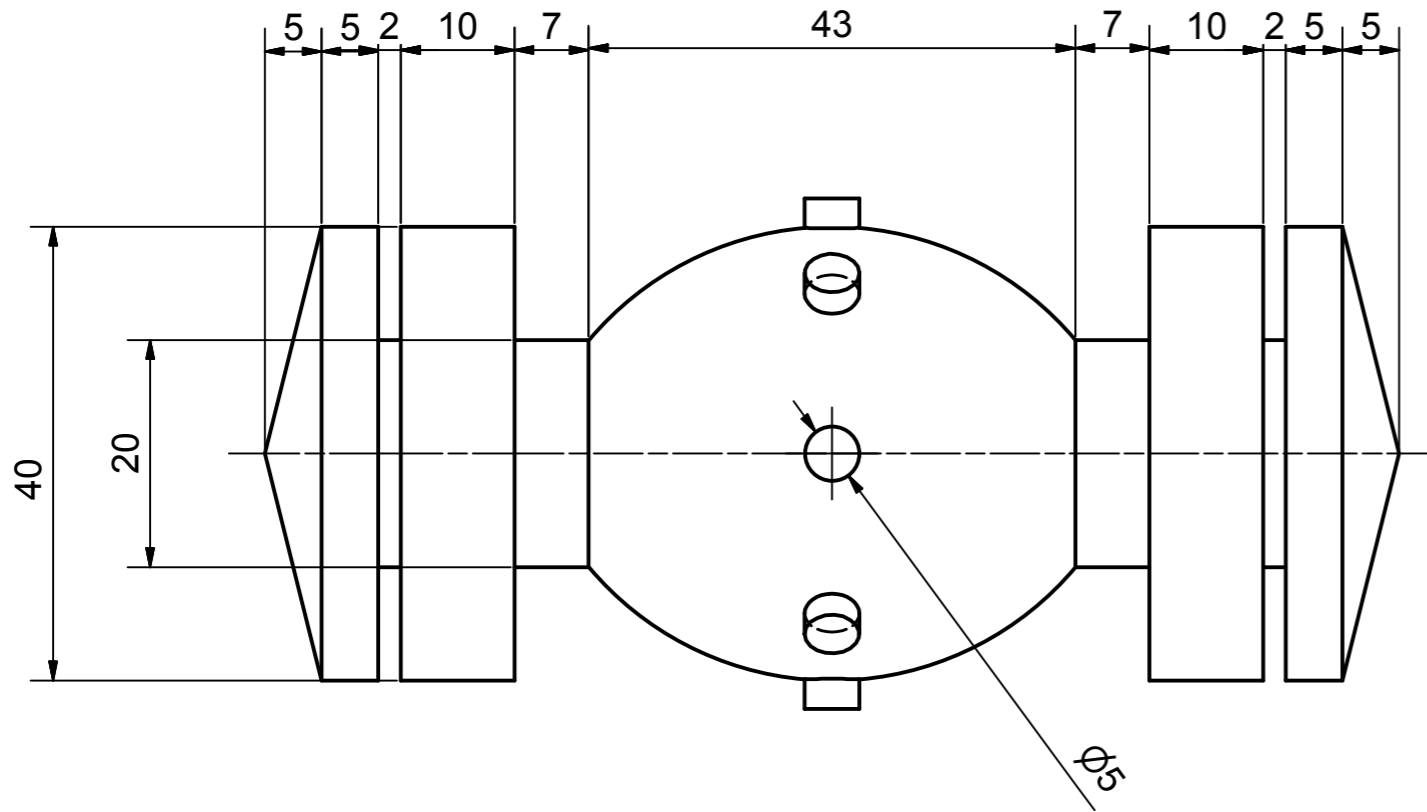
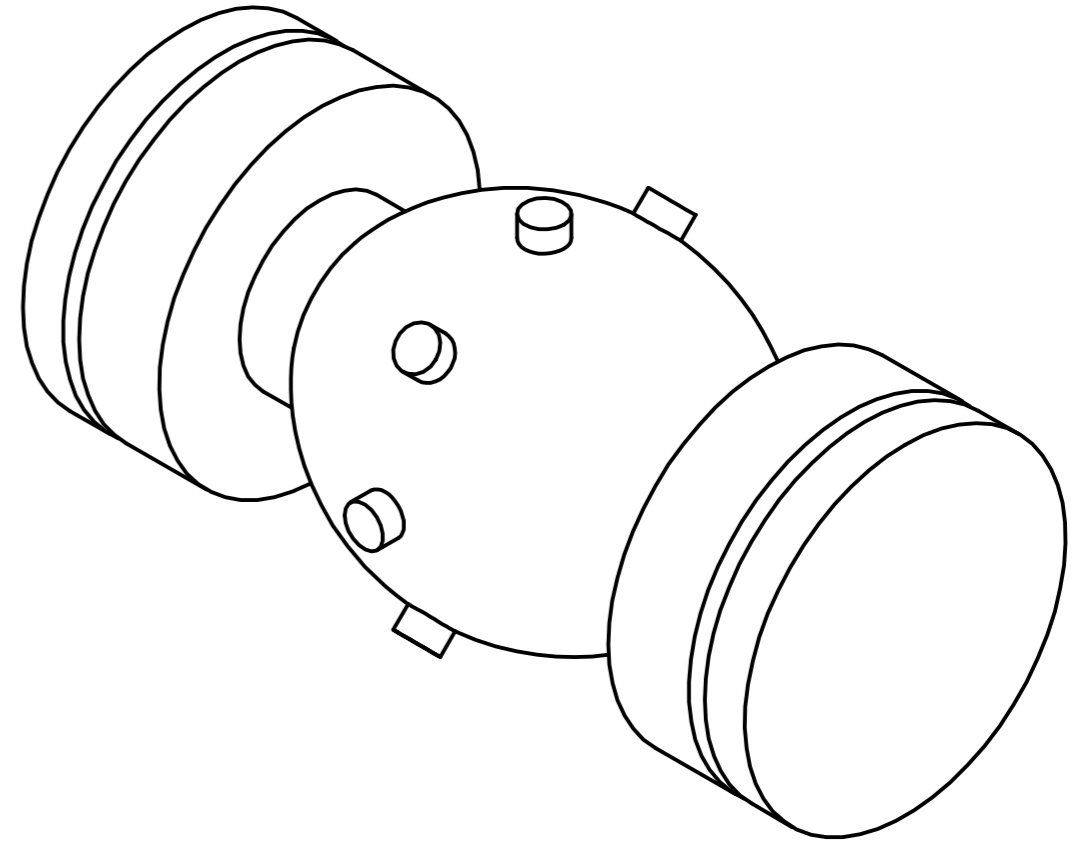


Describe how this component could be modelled.
 (include all sizes) '10 marks'



Calderglen High School
 Technical Department

Title:
 Homework
 (Modelling 2)

Name:

Scale:

Date:

