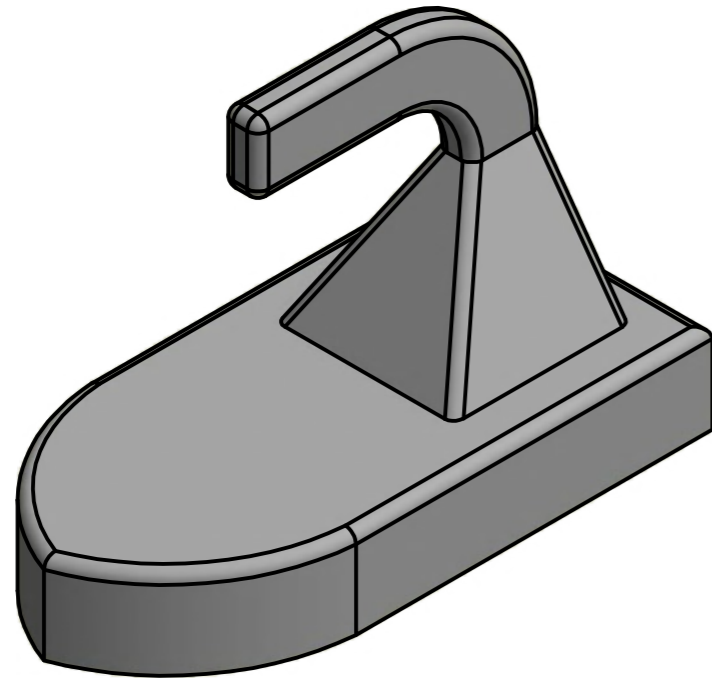
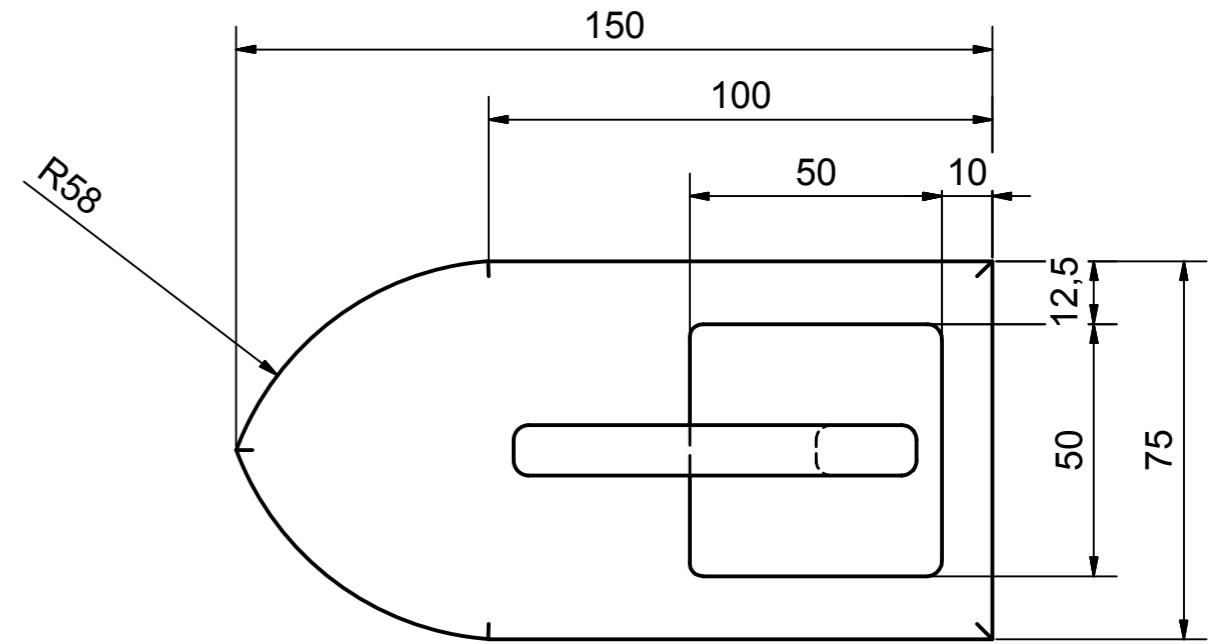


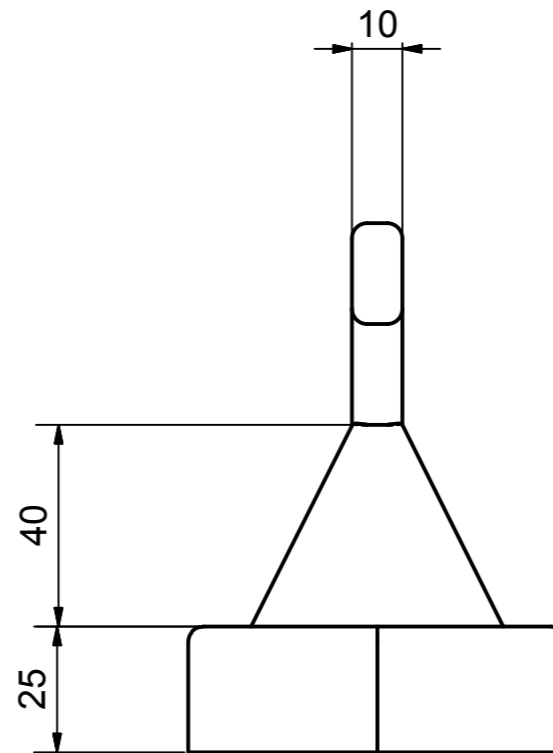
Describe how this component could be modelled.
(include all sizes) '10 marks'



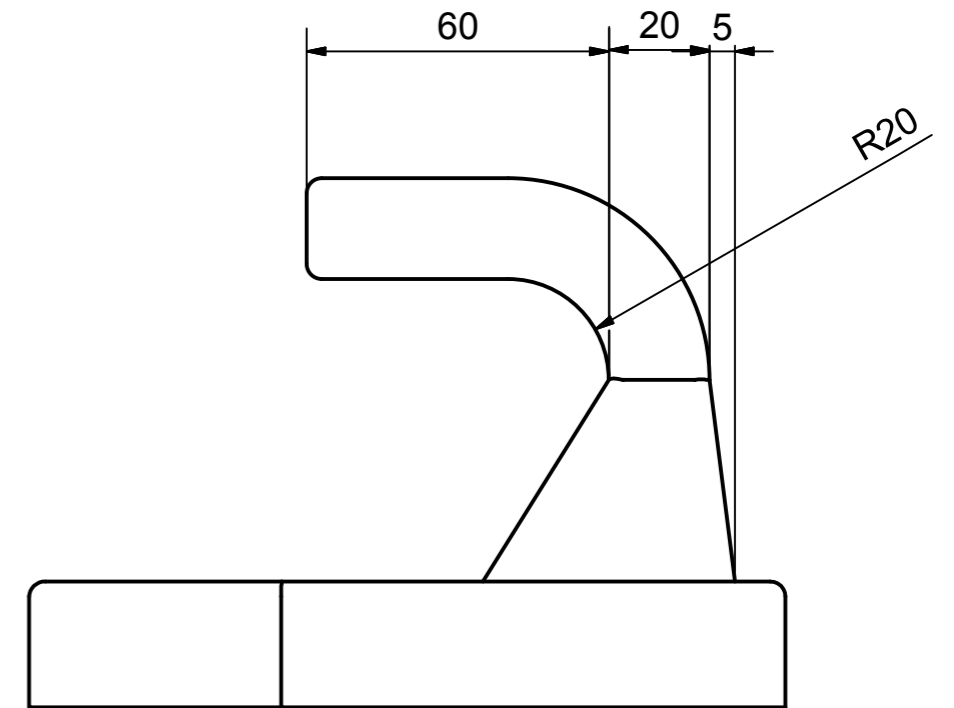
(All edges are filleted to 3mmØ)



Plan



End Elevation



Front Elevation

Calderglen High School
Technical Department

Title: Homework
(Modelling 1)

Name:

Scale:

Date:

