



Caldergleng High School

Technology Department

Types of Drawings

Homework



Powerpoint 5
will help you
with this section

Homework to be completed on time
and returned in homework jotter.

Study the drawings shown opposite and answer the following questions.

(a) State the general name given to the types of view shown at A, B, C and D.

Answer

KI 1

(b) State the individual names given to each of the views shown at A, B, C and D.

View A View B

View C View D

KI 4

(c) Name one other type of view in which you would see all three dimensions.

Answer

KI 1

(d) State Angle X on View B.

Angle

KI 1

(e) All of the views opposite are drawn to different scales. State two reasons that can affect the choice of scale in a drawing.

Reason 1

.....

Reason 2

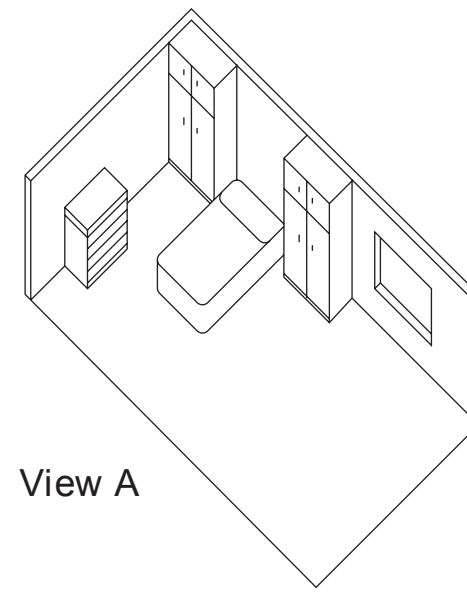
.....

KI 2

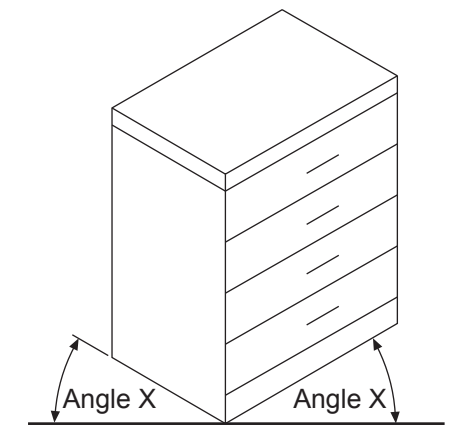
(f) State what is meant by scale 1:2.

Answer

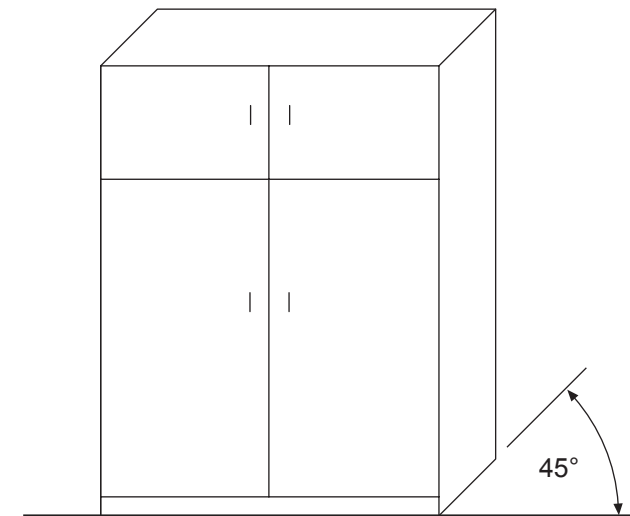
KI 1



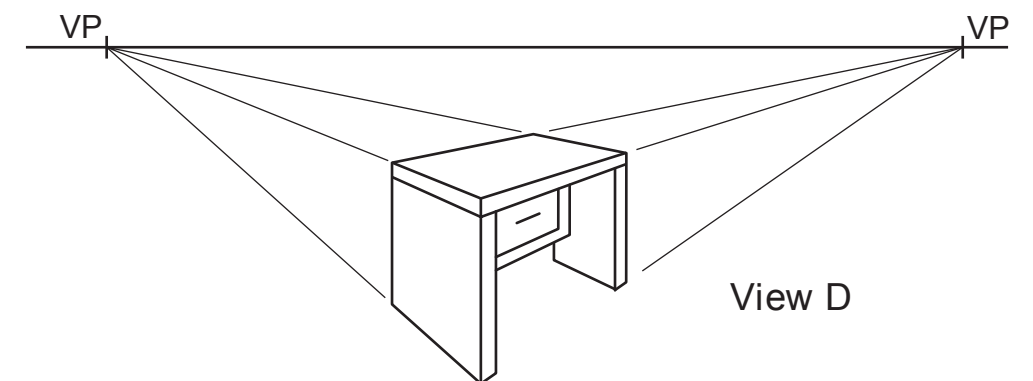
View A



View B



View C



View D

A number of different pictorial drawings are given opposite.

(a) State the names given to the types of pictorial shown at P, Q, R and S.

View P View Q

View R View S

KI 4

(b) State the name given to line L on View P.

Answer

KI 1

(c) State the angles used at M and N on View Q.

Angle M Angle N

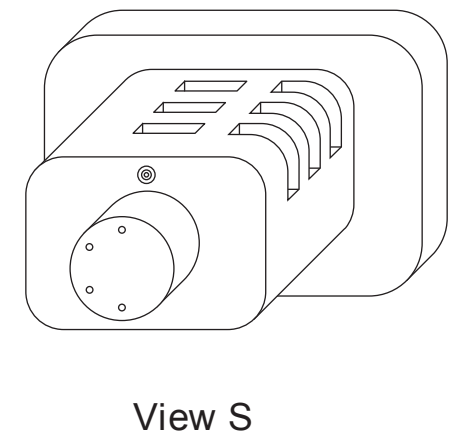
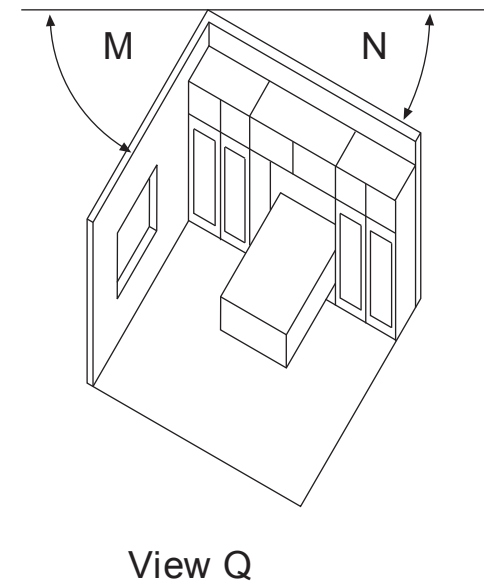
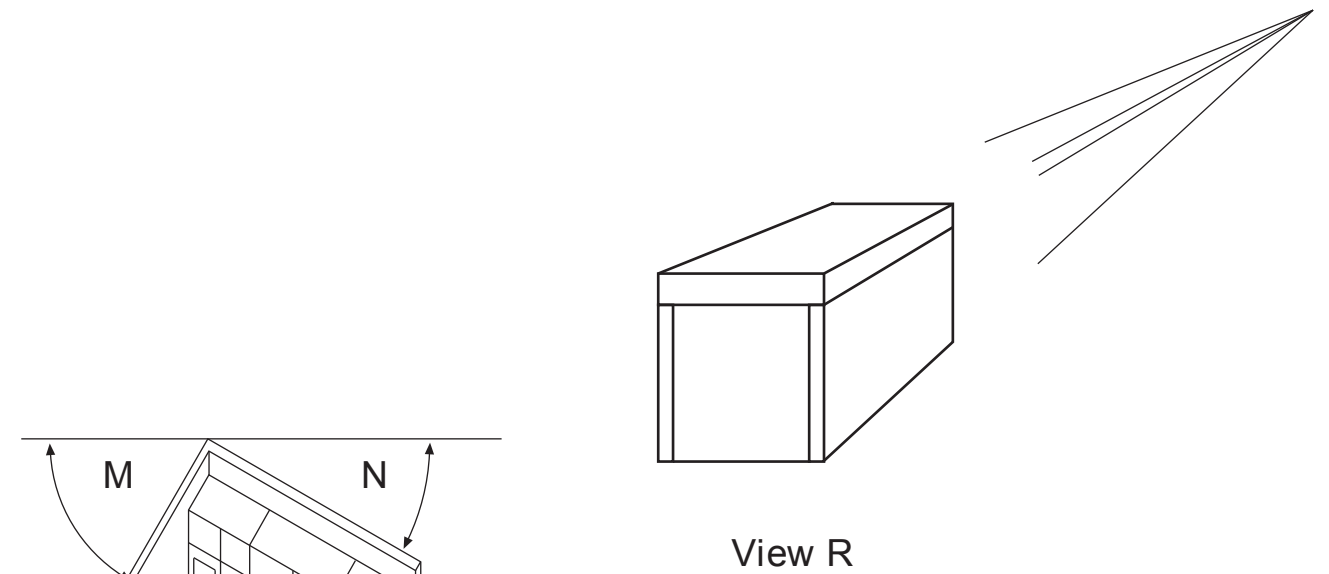
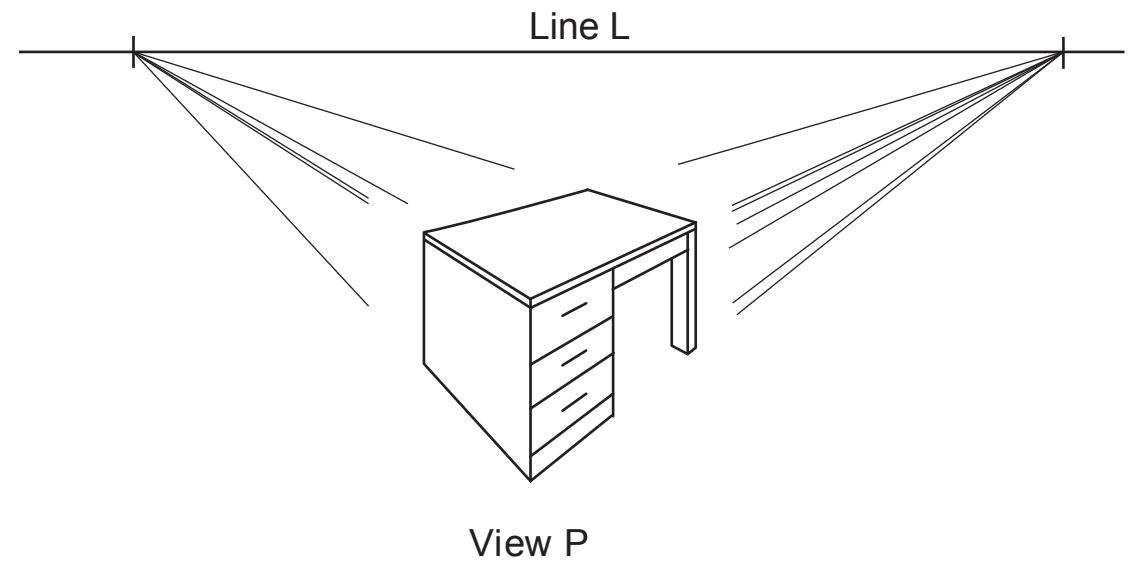
KI 2

(d) State one advantage of using View S when drawing pictorials.

Advantage

.....

KI 1



Study the drawings shown opposite and answer the following questions.

(a) State the names of the types of view shown at A, B and C.

View A View B

View C

KI 3

(b) State the names of two other views in which you would see all three dimensions.

Answer 1 Answer 2

KI 2

(c) State the Angle X on View A.

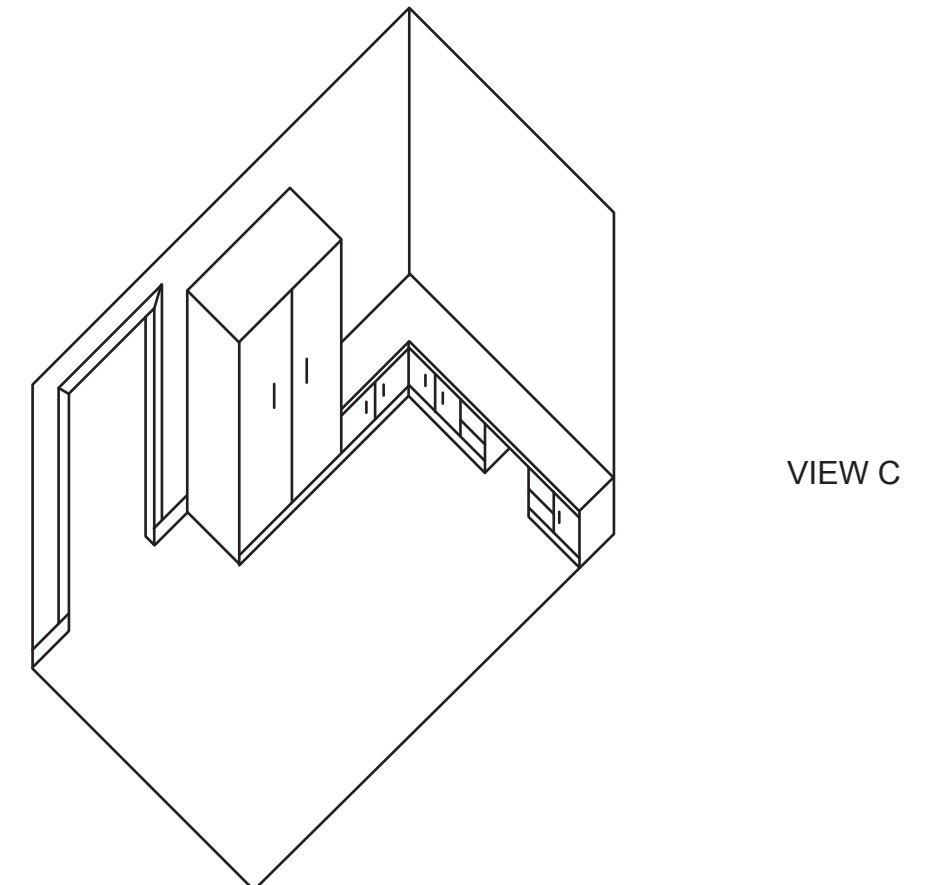
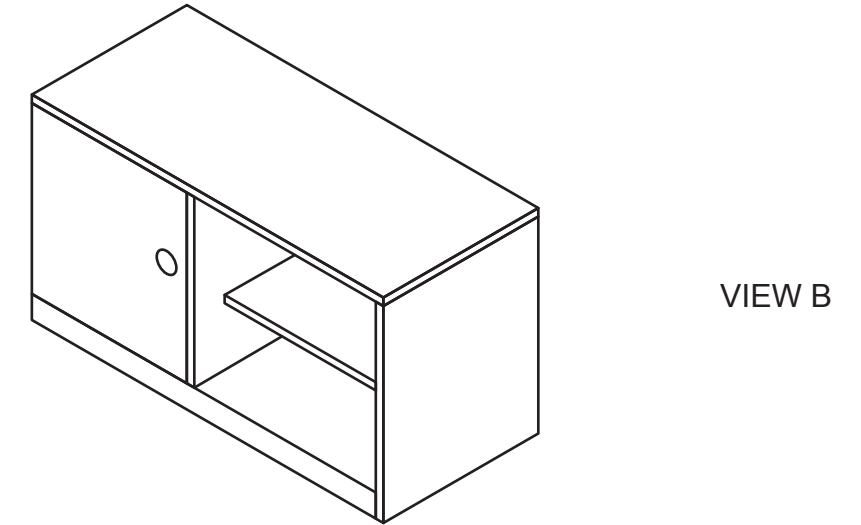
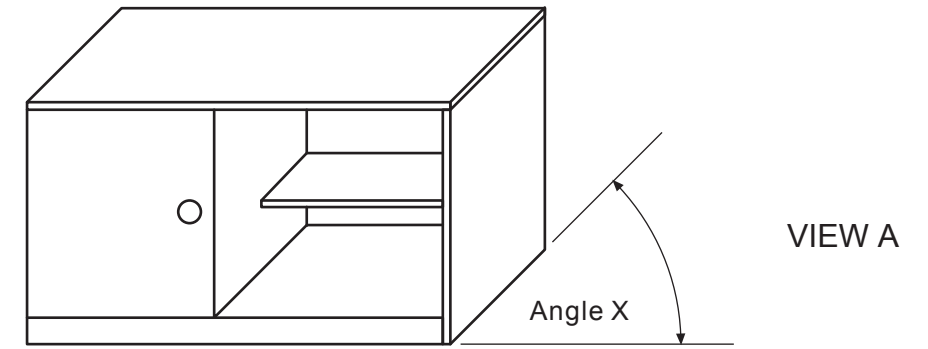
Angle

KI 1

(d) State the general name given to the types of view shown at A, B and C.

Answer

KI 1



Four pictorial drawings are given opposite.

(a) State the names given to the types of pictorial shown at P, Q, R and S.

P Q

R S KI 4

(b) State the name given to Line L on View S.

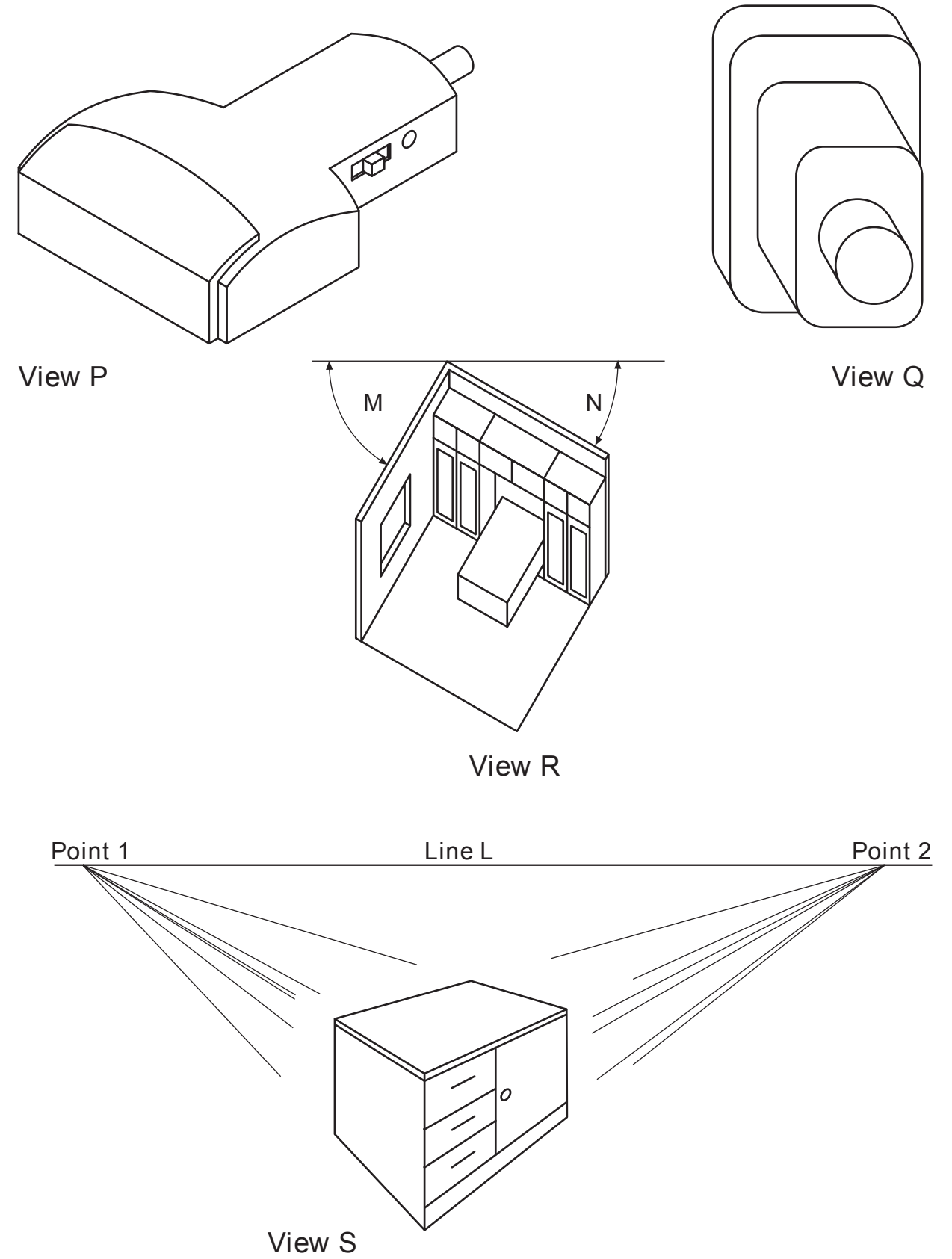
Answer KI 1

(c) State the name given to Points 1 and 2 on View S.

Answer KI 1

(d) State the angles used at M and N on View R.

Angle M Angle N KI 2



Designers use many different types of drawings when working on new designs.
Study the drawings shown and answer the following questions.

(a) (i) State the individual names given to each of the views shown at 1, 2, 3 and 4.

View 1 View 2

View 3 View 4

(ii) State the general name that would be given to Views 1, 2, 3 and 4.

Name KI 5

(b) State the Angle X on View 1.

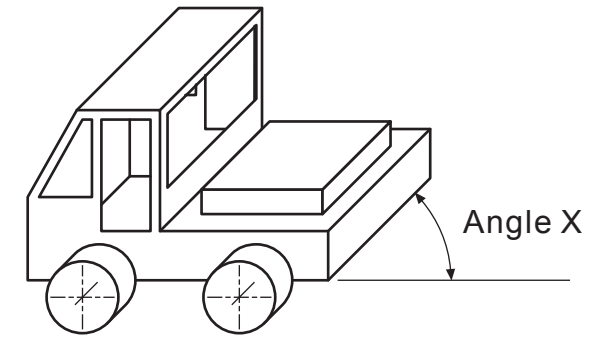
Angle X KI 1

(c) State the name given to the Point P on View 3.

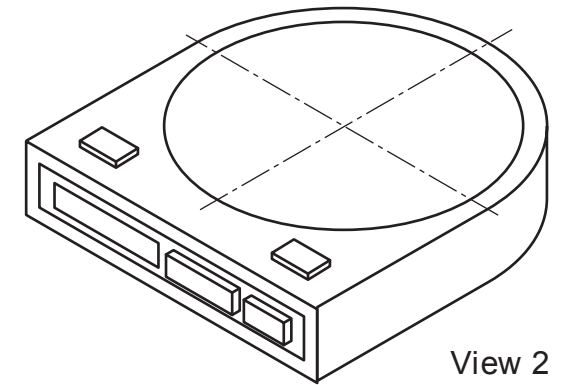
Point P KI 1

(d) State the name given to the Line H on View 4.

Line H KI 1

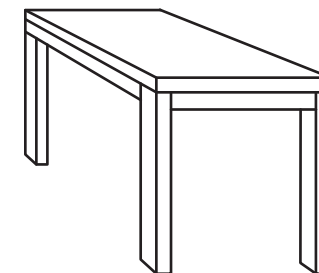
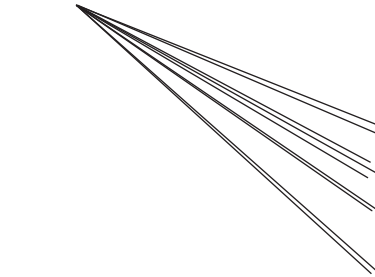


View 1



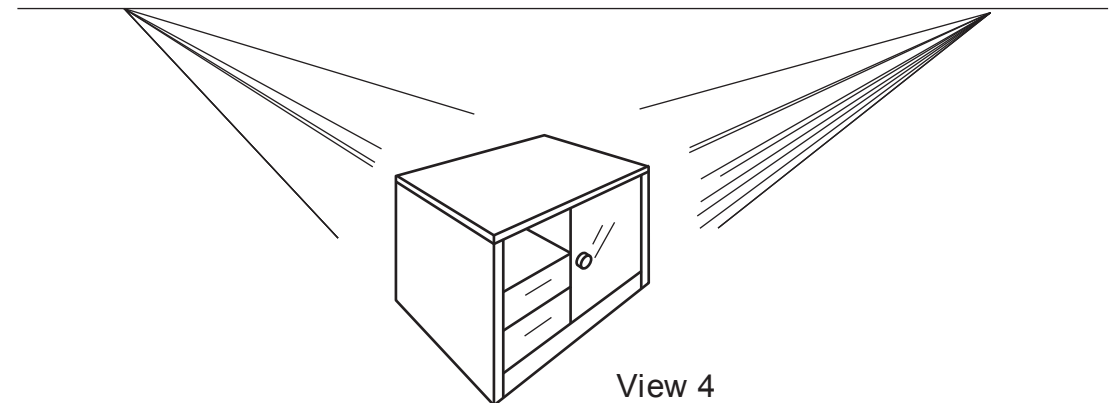
View 2

Point P



View 3

Line H



View 4

Study the views shown opposite and answer the following questions.

(a) State the names of the types of view shown at A, B and C.

View A

View B

View C

KI 3

(b) State the name of one other view in which you would see all three dimensions.

Answer

KI 1

(c) State the Angle X on View A.

Angle

KI 1

(d) State the general name given to the types of view shown at A, B and C.

Answer

KI 1

