



Caldergleng High School

Technology Department

Drawing Conventions

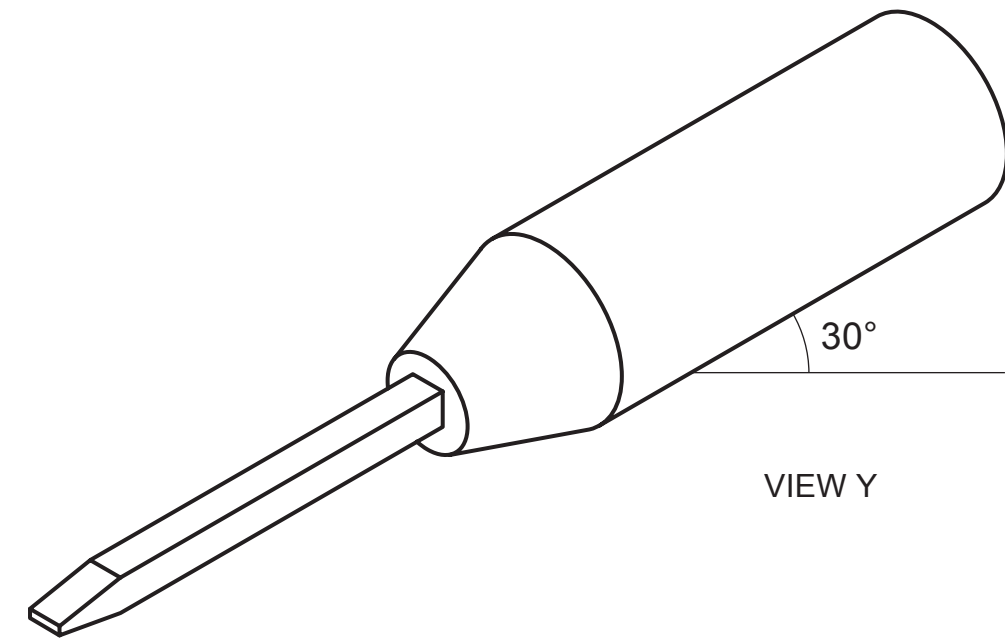
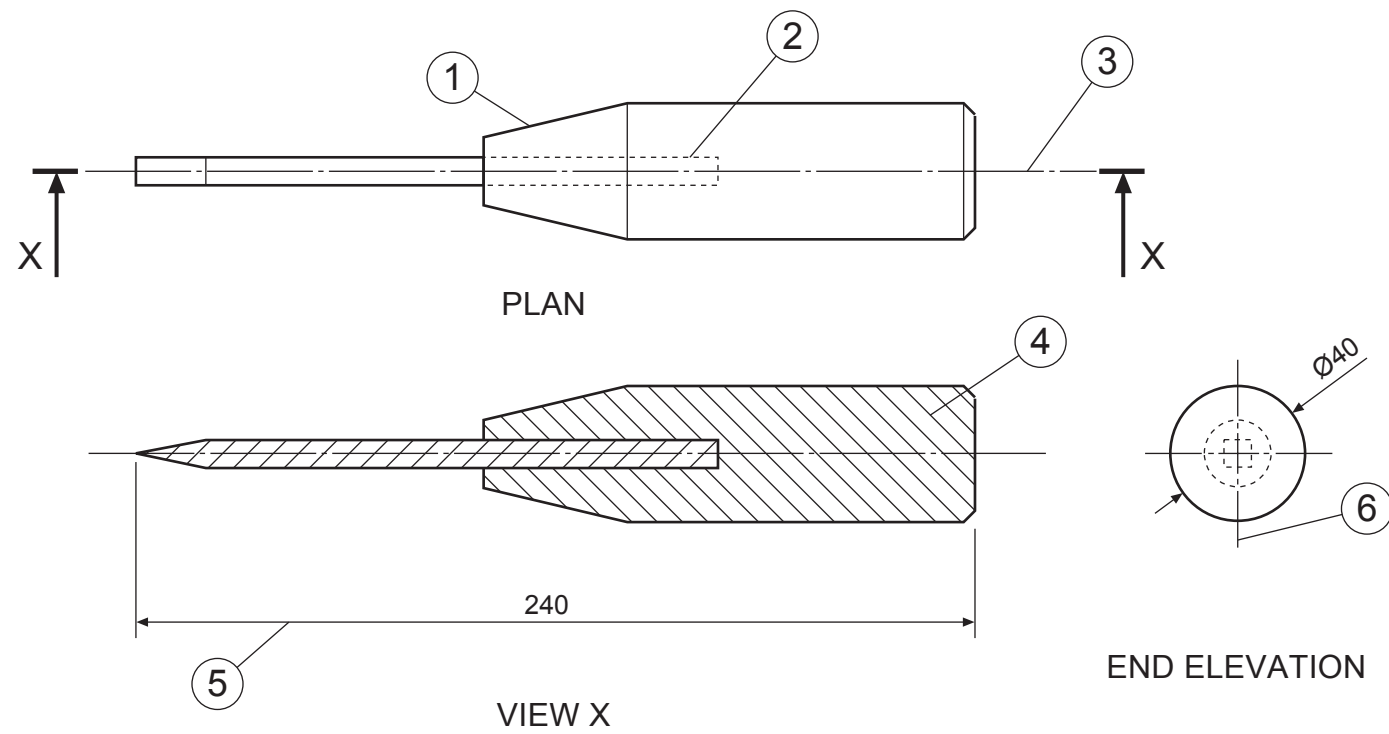
Homework



Powerpoint 3
will help you
with this section

Homework to be completed on time
and returned in homework jotter.

An orthographic drawing, with a number of different line types indicated, is given below. A pictorial view is also given.



(a) Complete the given table by adding the number of the line types indicated on the orthographic drawing above.

Table of line types

Hatching	
Dimension	
Outline	
Centre	
Cutting plane	
Hidden	

KI 6

(b) State the type of elevation shown at view X.

View X

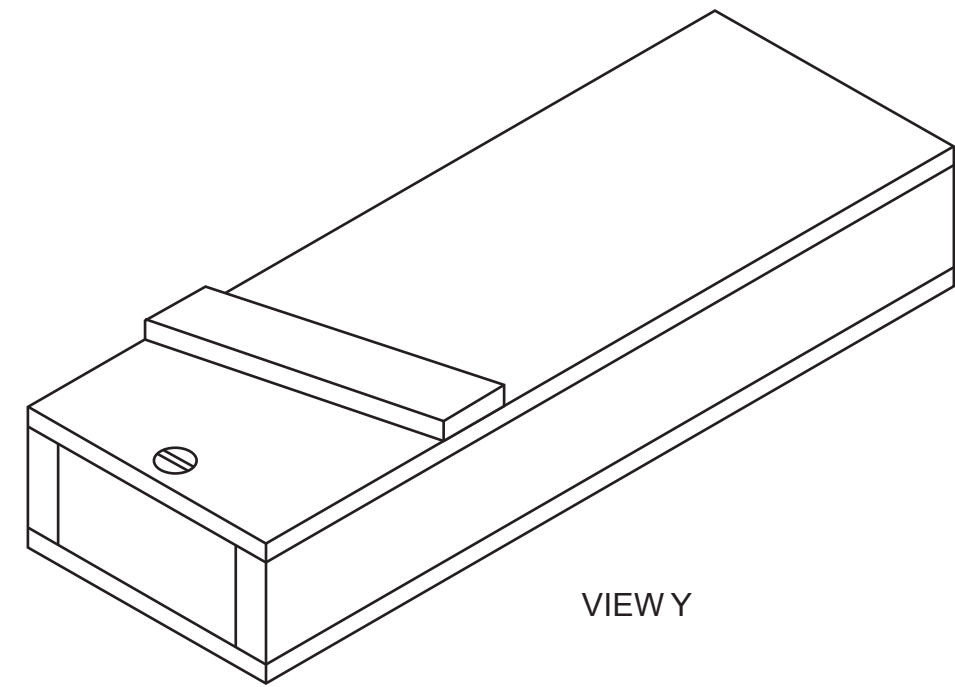
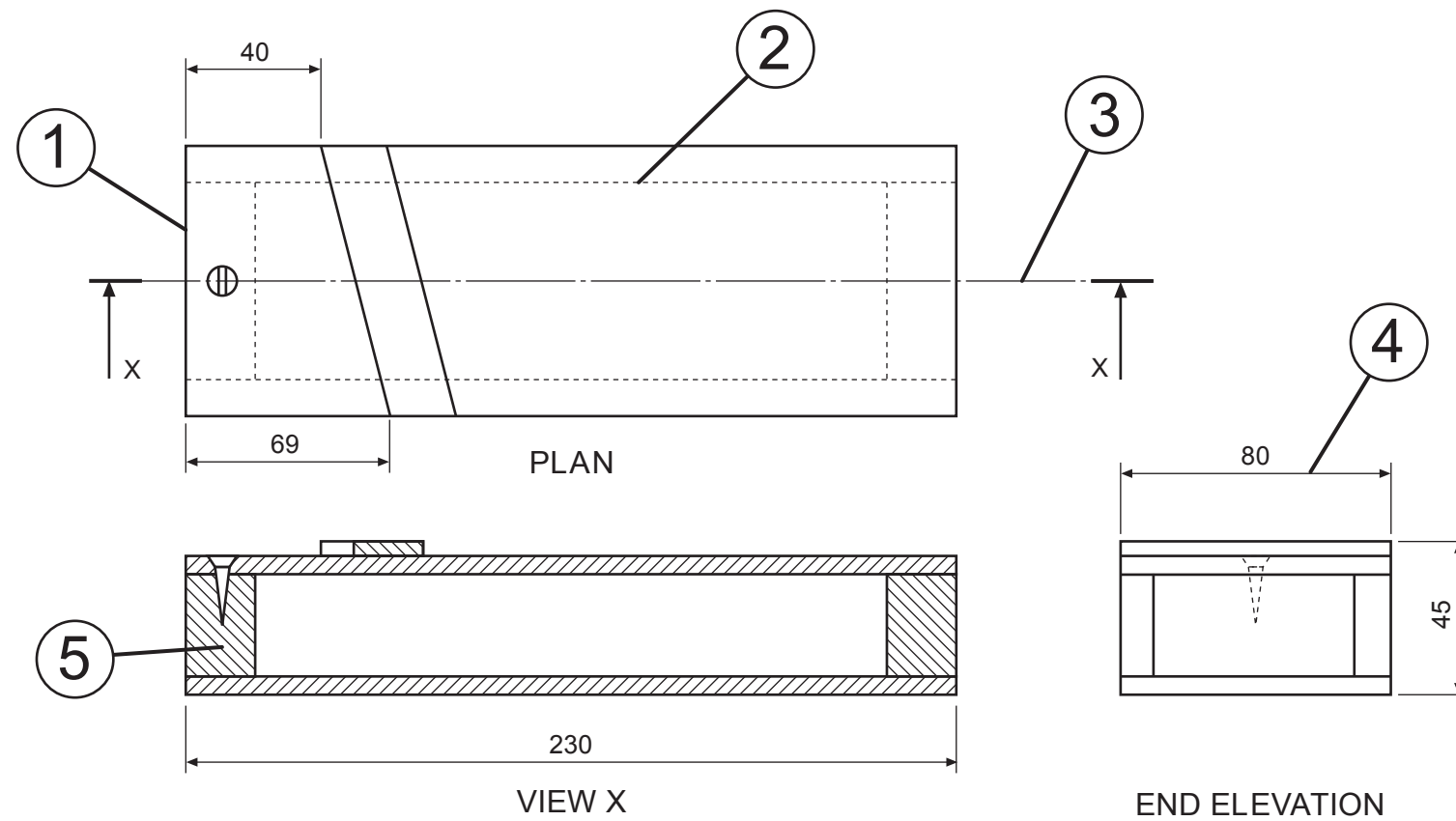
KI 1

(c) State the type of pictorial drawing shown at view Y.

View Y

KI 1

An orthographic drawing, with a number of different line types indicated, is given below.
A pictorial view is also given.



(a) Complete the given table by adding the number of the line types indicated on the orthographic drawing above.

Table of line types

Dimension	
Hidden	
Hatching	
Cutting plane	
Outline	

KI 5

(b) State the name of view X.

View X

KI 1

(c) State the type of pictorial drawing shown in view Y.

View Y.....

KI 1

(d) State the name of two other types of pictorial drawing.

Answer 1 Answer 2

KI 2

An orthographic and a pictorial drawing showing different line types are given.

Dimension
Hidden
Hatching
Cutting plane
Outline

Table of line types

- (a) Complete the table by adding the names of the line types shown at 1, 2, 3, 4 and 5. The five line types are given in the table above.

Number	Line Type
1	
2	
3	
4	
5	

KI 5

- (b) State the type of pictorial view shown in View Y.

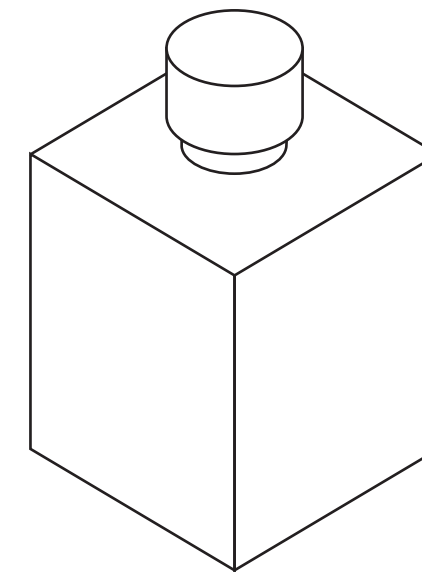
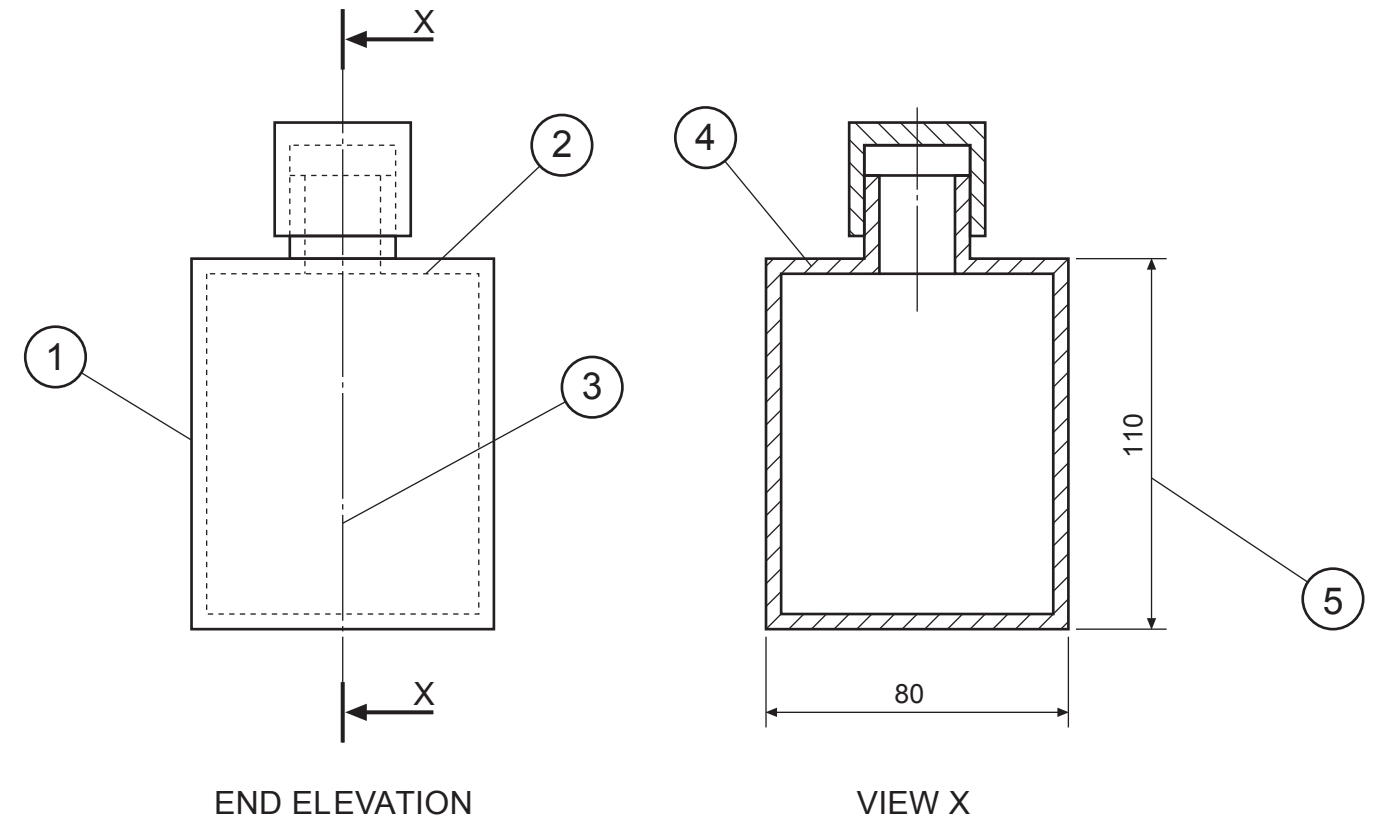
View Y

KI 1

- (c) State the name of one other type of pictorial drawing.

Answer

KI 1



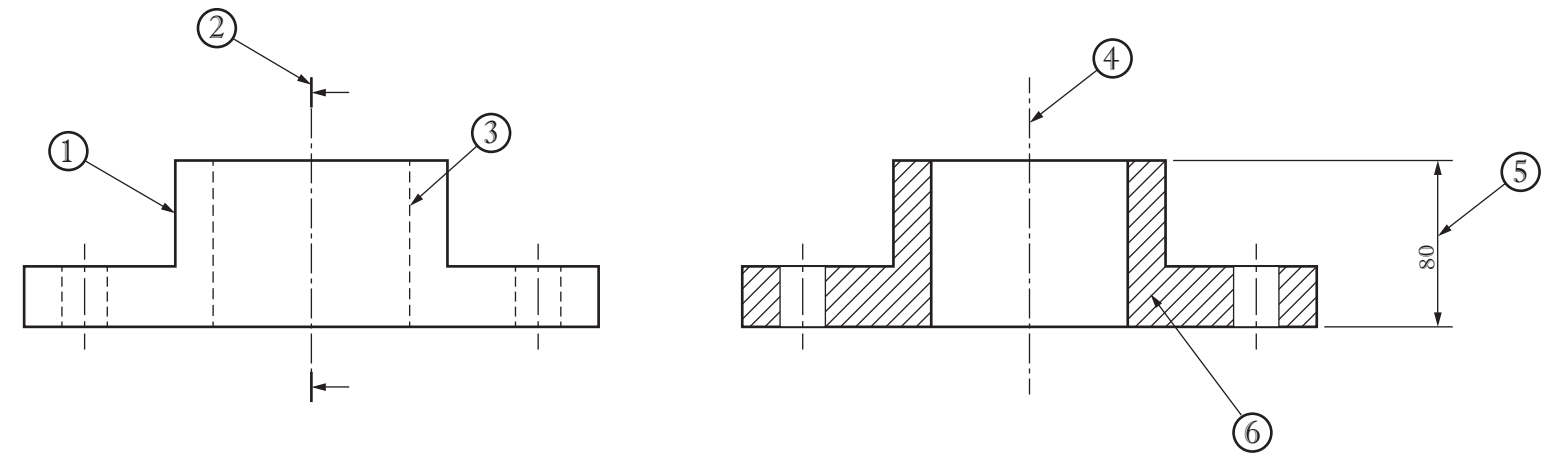
VIEW Y

A drawing of a lathe faceplate is given in Drawing X.

A list of the line types is given.

- Dimension
- Hidden
- Hatching
- Cutting plane
- Outline
- Centre

(a) Complete the table below by adding the names of the line types from the above list shown at 1, 2, 3, 4, 5 and 6 on Drawing X.



Drawing X

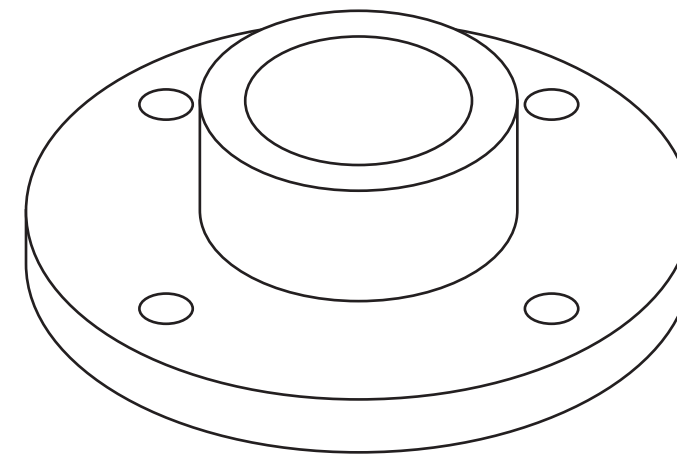
Number	Line Type
1	
2	
3	
4	
5	
6	

KI 6

(b) State the type of view shown in View Y.

View Y

KI 1



View Y