

Design & Manufacture Question Time



Wood & Design Theory

(Use during the last 5-10 minutes of every lesson)

What is FUNCTION? &

Explain where it is used in any of the products below.



N4/N5 Design & Manufacture Questions
(Wood & Design)

What is ECONOMICS?

&

Explain where it is considered in any of the products below.



N4/N5 Design & Manufacture Questions
(Wood & Design)

What is ERGONOMICS? &

Explain where it is applied in any of these products below.



N4/N5 Design & Manufacture Questions
(Wood & Design)

What is SAFETY? & Explain where it is used in any of the products below.



N4/N5 Design & Manufacture Questions
(Wood & Design)

What is AESTHETICS? &

Explain where it is applied in any of the products below.



N4/N5 Design & Manufacture Questions
(Wood & Design)

What is TARGET MARKET? & Explain who the target market is for these products.



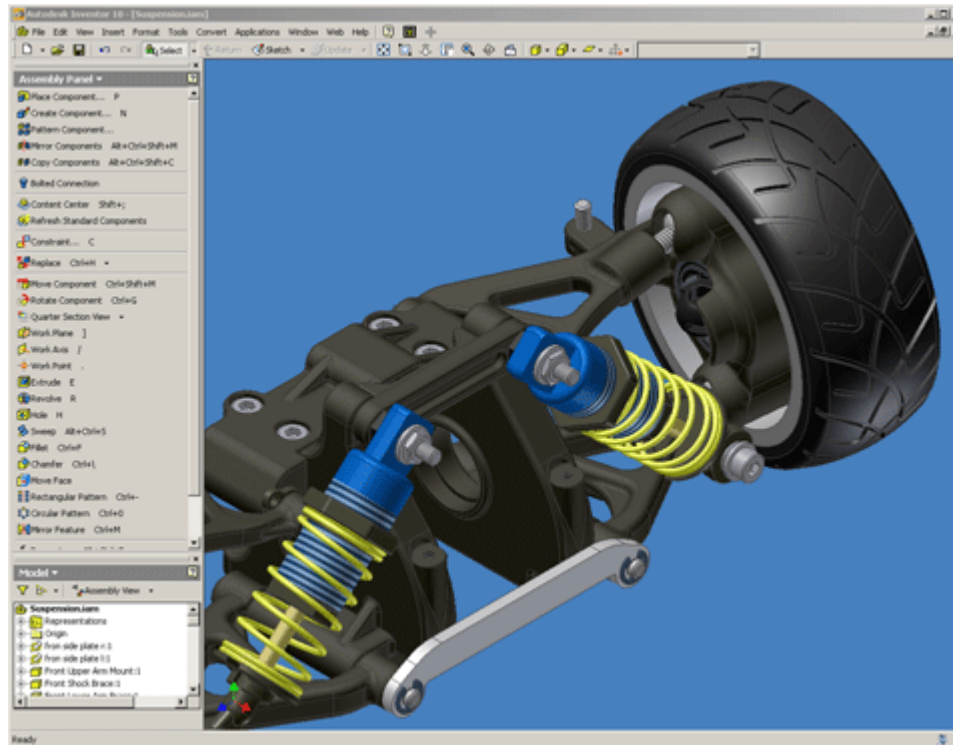
N4/N5 Design & Manufacture Questions
(Wood & Design)

What is ENVIRONMENTAL CONCERNS? & Explain where it is used in any of the products below.

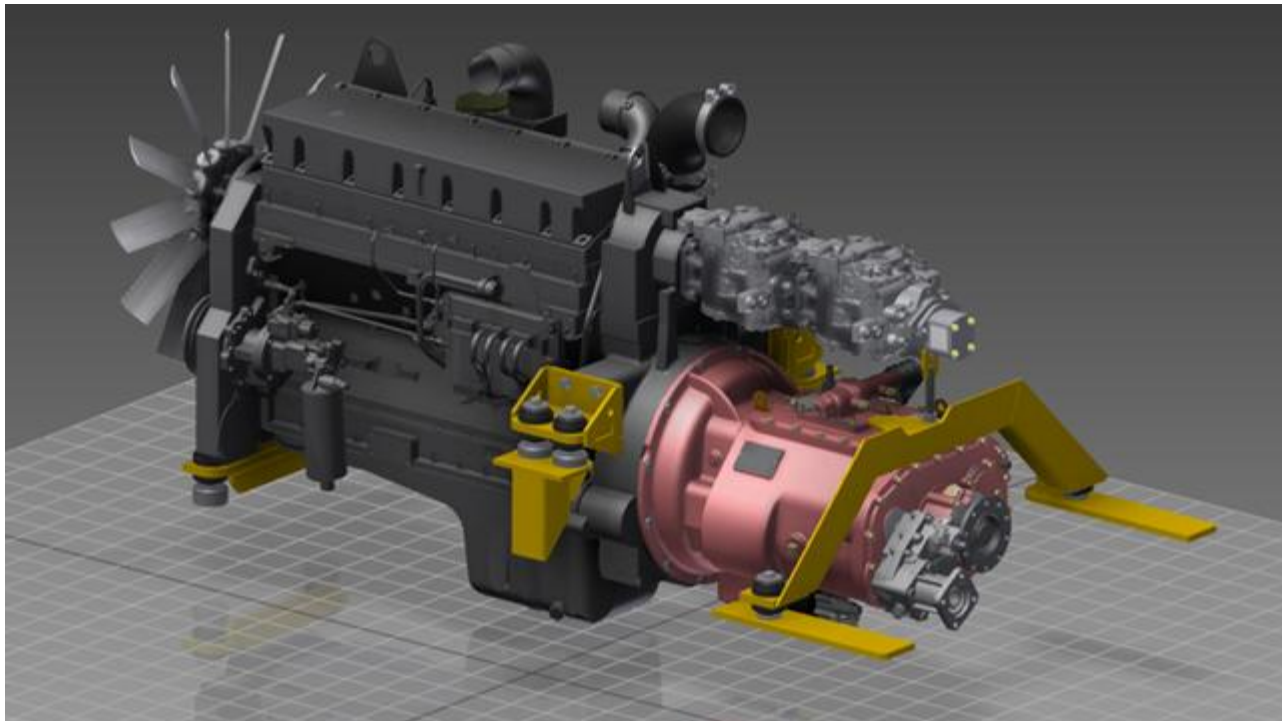


N4/N5 Design & Manufacture Questions
(Wood & Design)

What does C.A.D stand for and what is it?



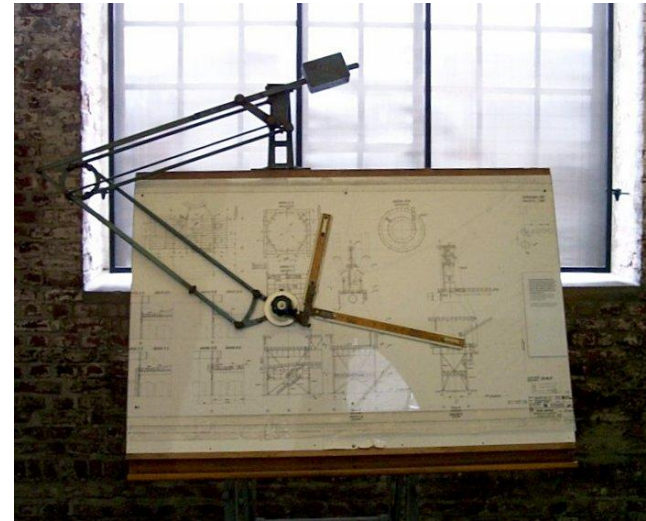
Give THREE examples of industries which use C.A.D.



Describe THREE advantages of C.A.D compared to using a drawing board.



V



Describe TWO disadvantages of C.A.D.



N4/N5 Design & Manufacture Questions
(Wood & Design)

Name this type of C.A.D model.



N4/N5 Design & Manufacture Questions
(Wood & Design)

What is computer Animation?



N4/N5 Design & Manufacture Questions
(Wood & Design)

What is computer Simulation?



N4/N5 Design & Manufacture Questions
(Wood & Design)

What does C.A.M stand for and what is it?



N4/N5 Design & Manufacture Questions
(Wood & Design)

What research method can be used for Anthropometrics?



What research method can be used for Aesthetics?



What research method can be used for Economics?



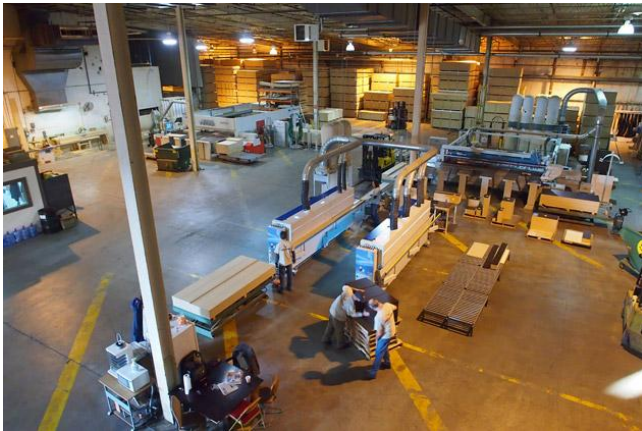
What type of wood is this & give an example?



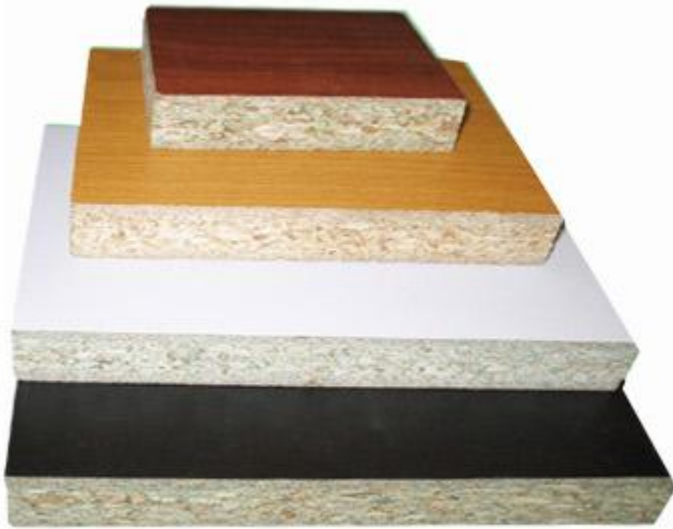
What type of wood is this & give an example?



What type of wood is this & give an example?



Describe THREE benefits of Manufactured boards.



N4/N5 Design & Manufacture Questions
(Wood & Design)

Explain why softwood is a more sustainable option compared to Hardwood.



v



Name this tool and explain what it is used for.



Name this tool and explain what it is used for.



Name this tool and explain what it is used for.



Name this tool and explain what it is used for.



Name this tool and explain what it is used for.



Name this tool and explain what it is used for.



Name this tool and explain what it is used for.



Name this tool and explain what it is used for.



Name this tool and explain what it is used for.



Name this tool and explain what it is used for.



Name this tool and explain what it is used for.



Name this tool and explain what it is used for.



Name this tool and explain what it is used for.



N4/N5 Design & Manufacture Questions
(Wood & Design)

Name this item and explain what it is used for.



Name this item and explain what it is used for.



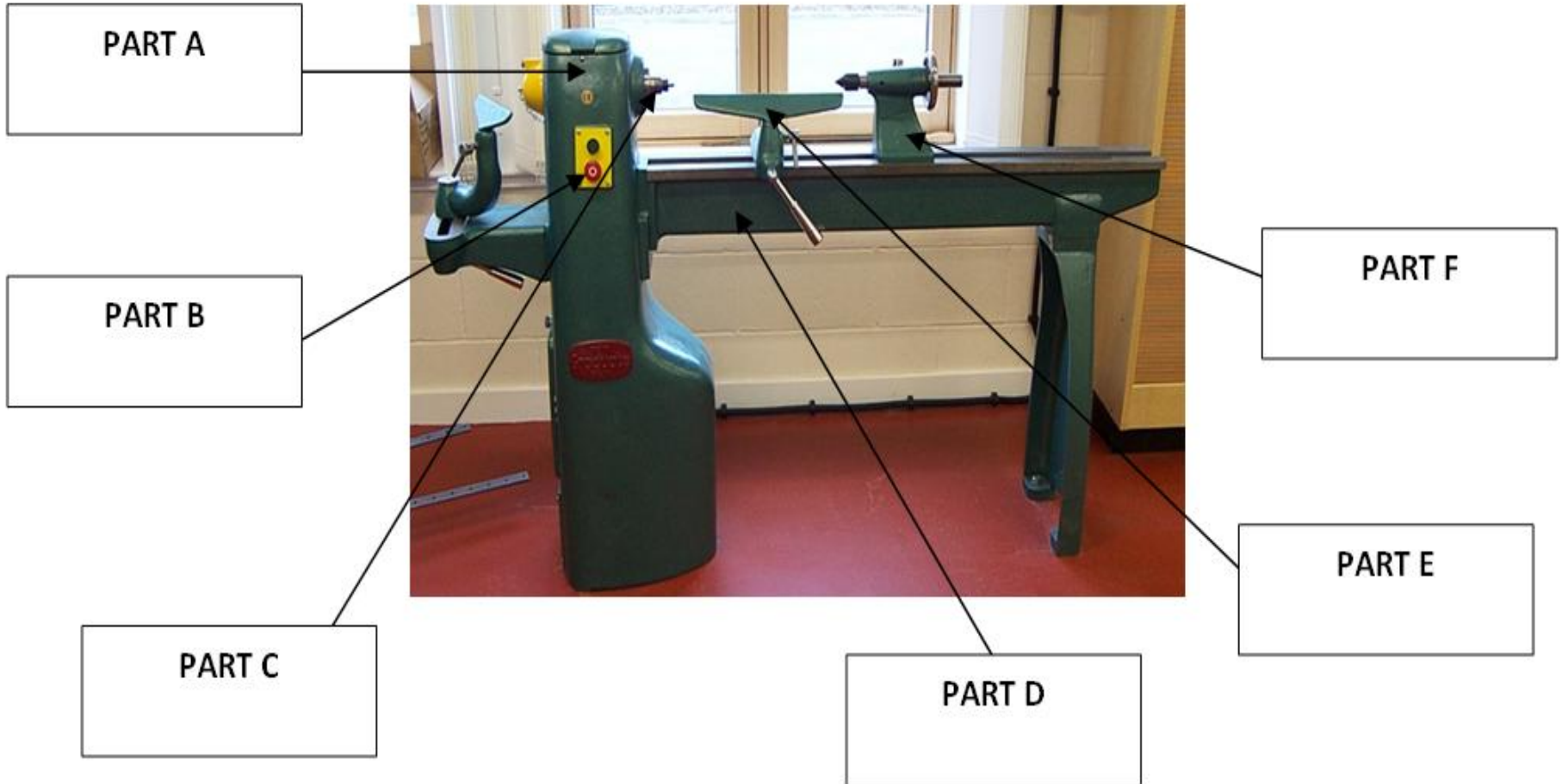
N4/N5 Design & Manufacture Questions
(Wood & Design)

Name this machine and explain what it does.



N4/N5 Design & Manufacture Questions
(Wood & Design)

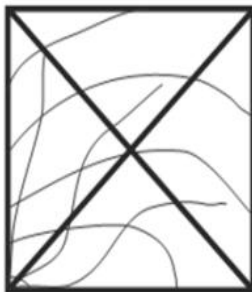
Name a part of this machine.



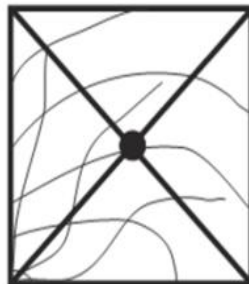
Explain the FOUR stages of preparing a piece of wood for turning shown below.



Stage 1



Stage 2



Stage 3



Stage 4



Name this machine and explain what it does.



N4/N5 Design & Manufacture Questions
(Wood & Design)

Name this machine and explain what it does.



N4/N5 Design & Manufacture Questions
(Wood & Design)

Name this machine and explain what it does.



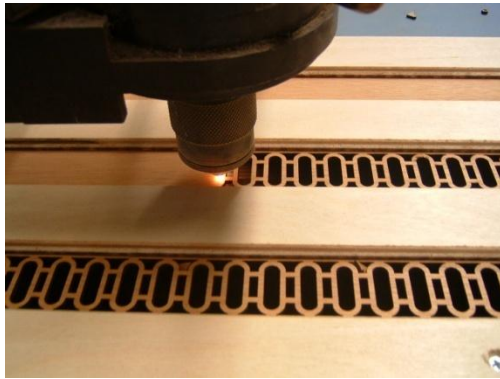
N4/N5 Design & Manufacture Questions
(Wood & Design)

Name this machine and explain what it does.



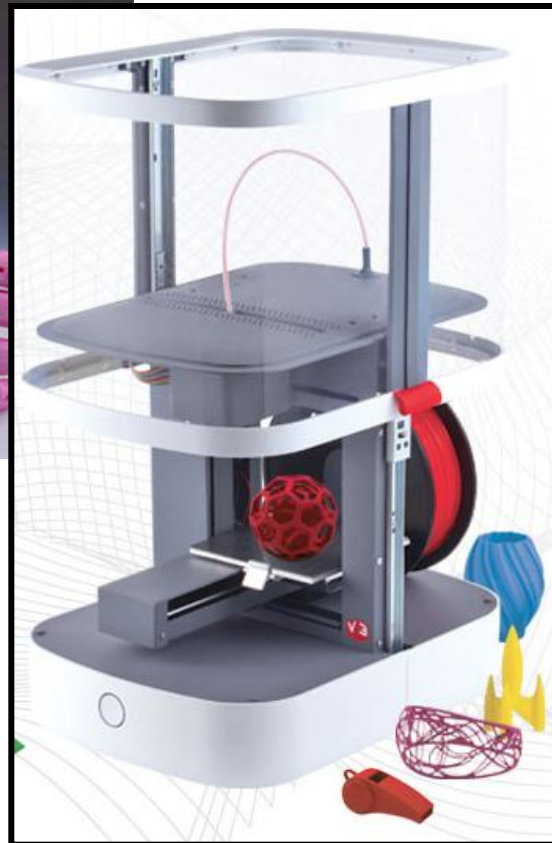
N4/N5 Design & Manufacture Questions
(Wood & Design)

Name this machine and explain what it does.



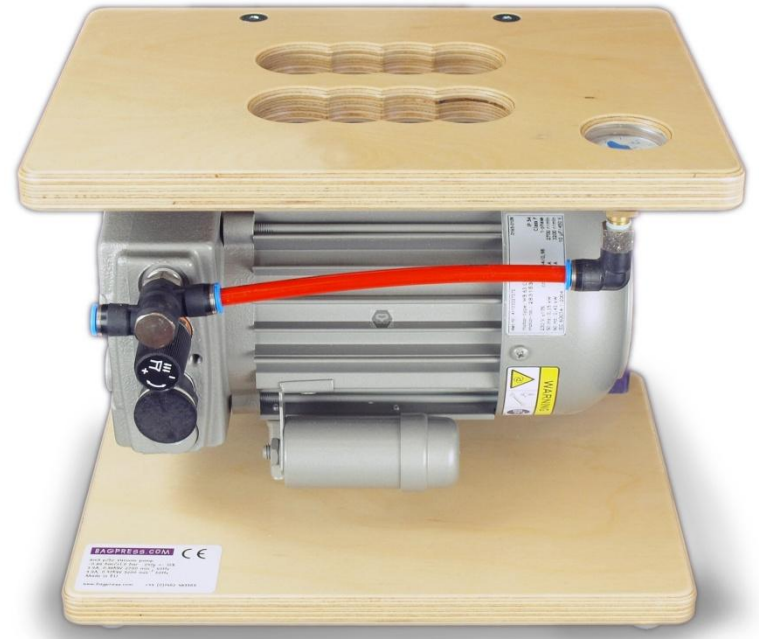
N4/N5 Design & Manufacture Questions
(Wood & Design)

Name this machine and explain what it does.



N4/N5 Design & Manufacture Questions
(Wood & Design)

Name this machine and explain what it does.



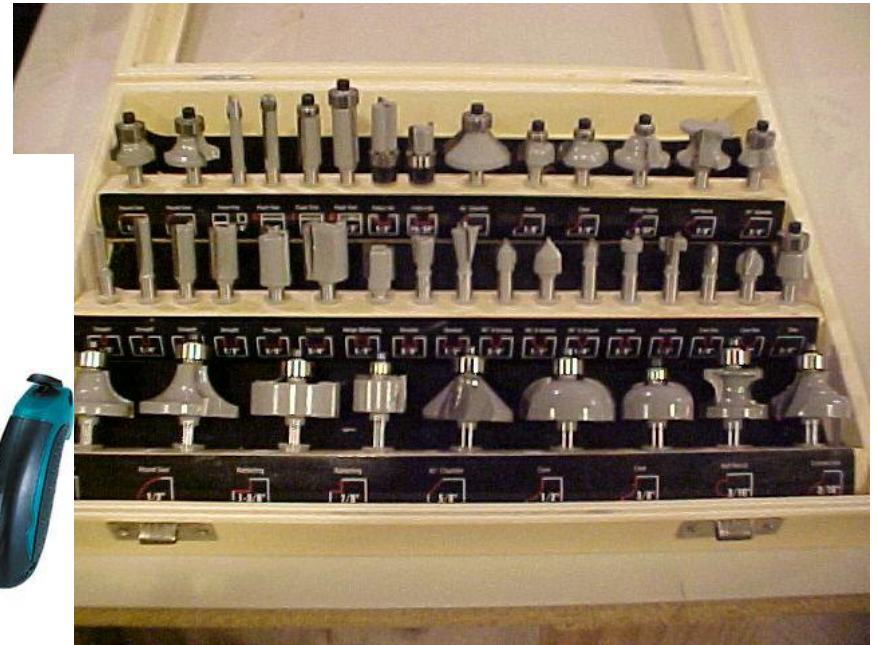
N4/N5 Design & Manufacture Questions
(Wood & Design)

Name this power tool and explain what it does.



N4/N5 Design & Manufacture Questions
(Wood & Design)

Name this power tool and explain what it does.



N4/N5 Design & Manufacture Questions
(Wood & Design)

Name this power tool and explain what it does.



N4/N5 Design & Manufacture Questions
(Wood & Design)

Name a safety rule you must follow in the workshop.



What is the name of these wood lathe tools?



N4/N5 Design & Manufacture Questions
(Wood & Design)

What is Morphological Analyse?

MORPHOLOGICAL ANALYSIS

I left out shape so most of my ideas were square/plain.

Top opens.

a natural theme for an adult with smooth curved edges.

Storage inside.

Good storage but items would be all mixed up together in one compartment.

Storage

rubber

pen/pencil holder.

A busy desk tidy with lots of storage for a sports person.

| | | | | | |
|------------------------|-----------|--------------------|-----------------|-----------|---------|
| Type / market use | Sport | Teenage Boys | clubs | hobbies | nature |
| materials | wood | plastic | metal | ceramic | |
| manufacturing methods. | Hand made | injection moulding | Vacuum moulding | Laser cut | CAD/CAM |
| Finishes | varnish | paint | wax | polish | |
| Joining methods. | joints | glue | screws | nails | rivets |
| Size. | large | small | narrow | wide | long |
| Form. | Bulbous | wavey | wiggley | fat | jagged |
| Texture. | rough | smooth | sharp | glossy | |

metal hinges

opens both sides

Storage "booth theme"

An ideal desk tidy for a 'child'. So the stationary address can be hidden.

pen holes.

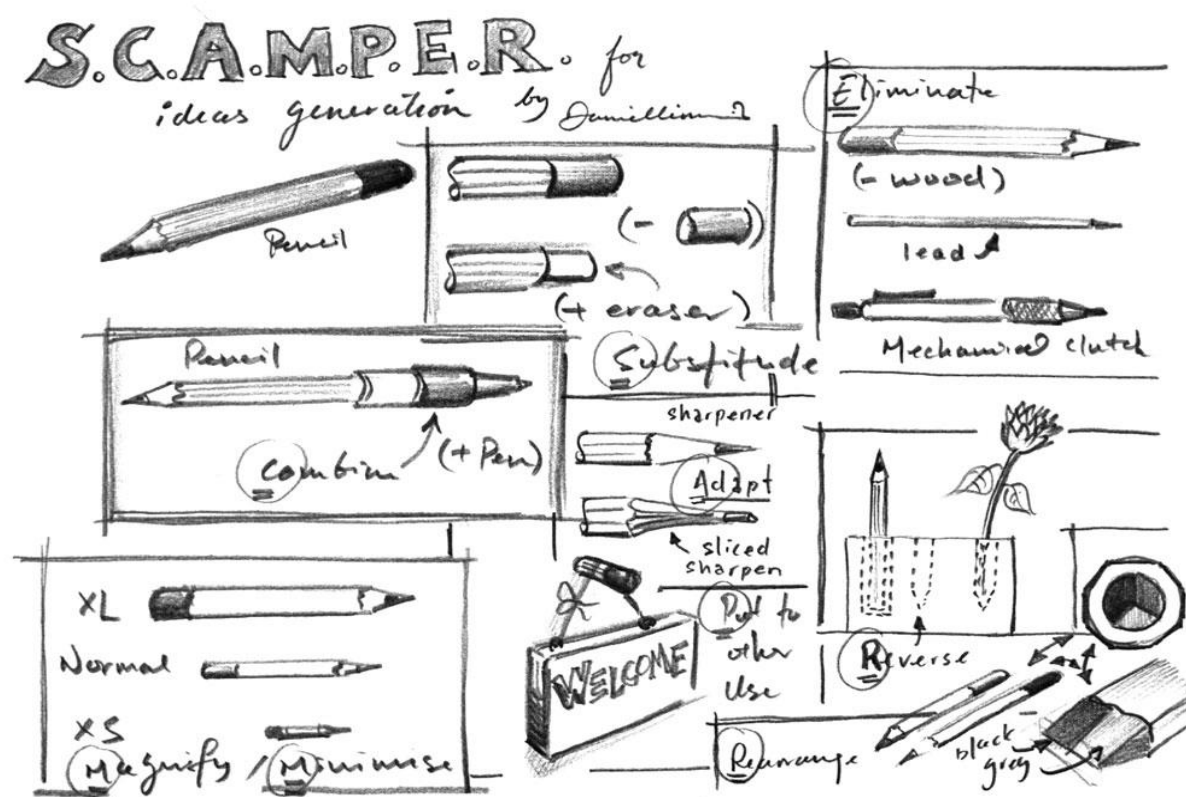
rivets

a stylish desk tidy but with concealed storage.

section slides out

50

What is S.C.A.M.P.E.R. ?



What is the name of this woodwork joint?



What is the name of this woodwork joint?



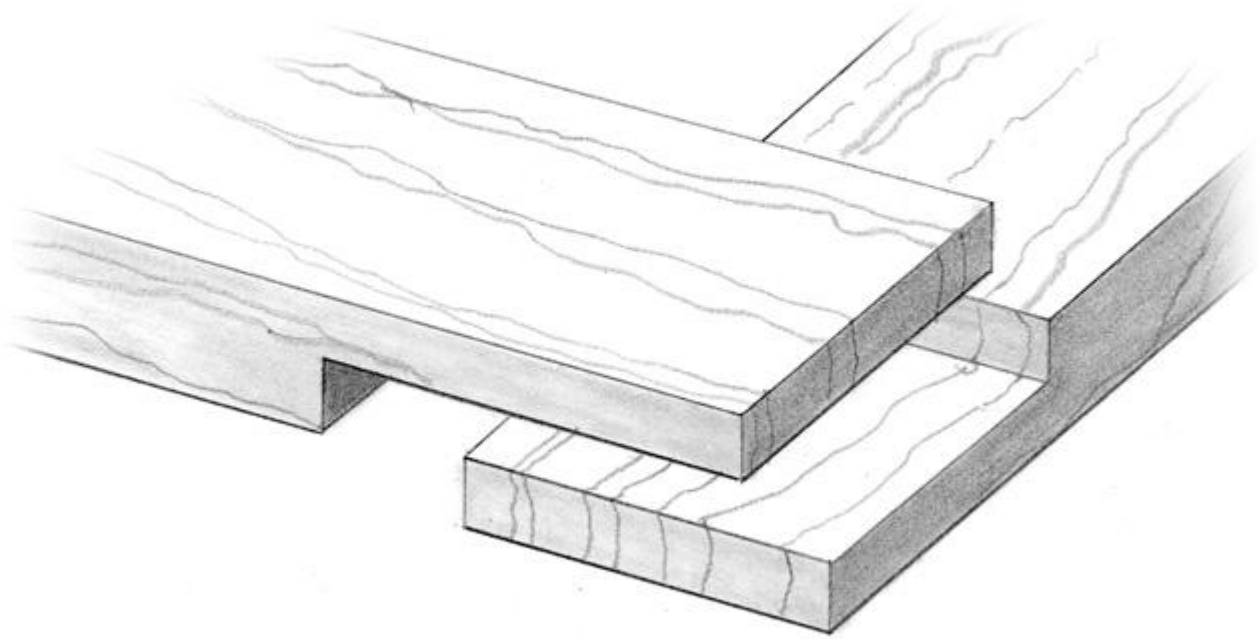
N4/N5 Design & Manufacture Questions
(Wood & Design)

What is the name of this woodwork joint?



N4/N5 Design & Manufacture Questions
(Wood & Design)

What is the name of this woodwork joint?



What is the name of this woodwork joint?

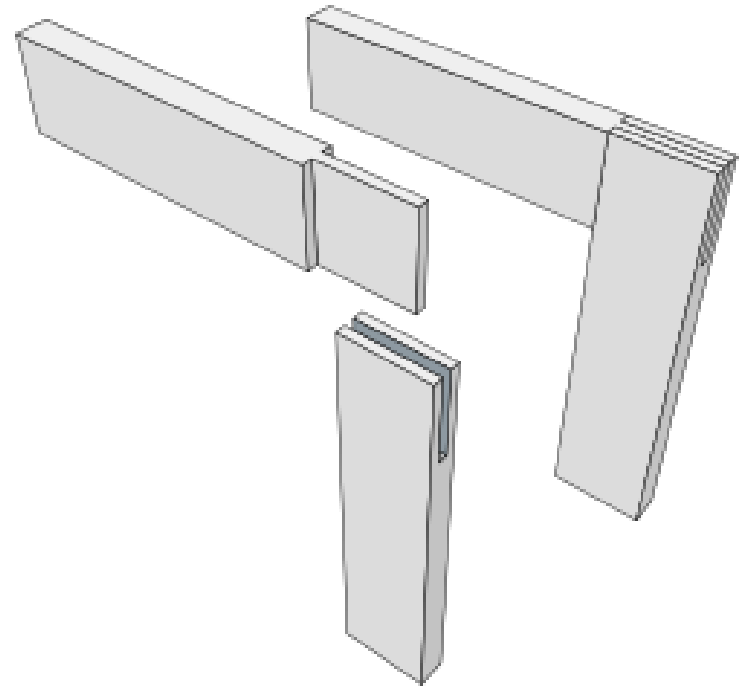
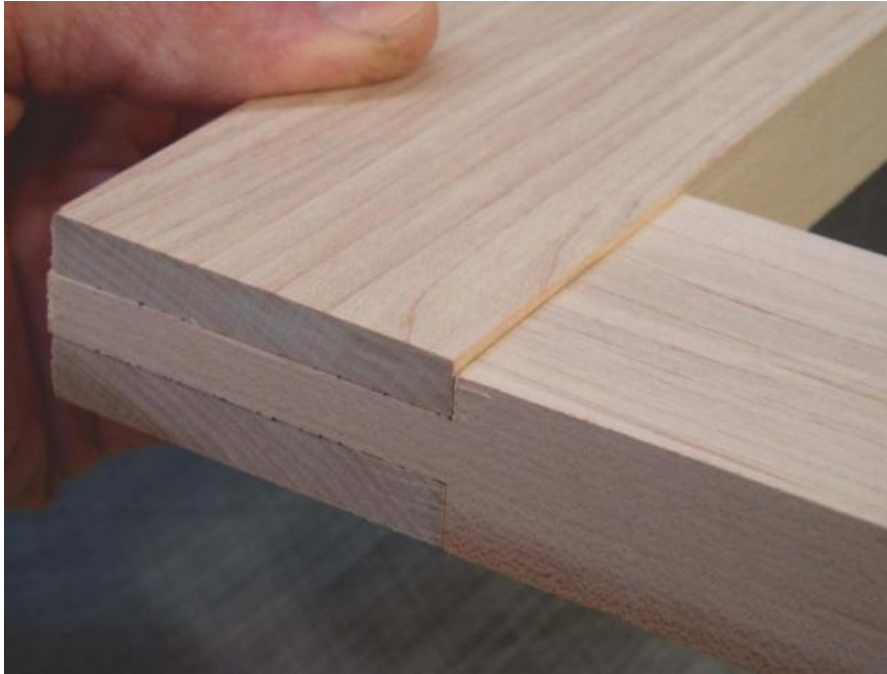


N4/N5 Design & Manufacture Questions
(Wood & Design)

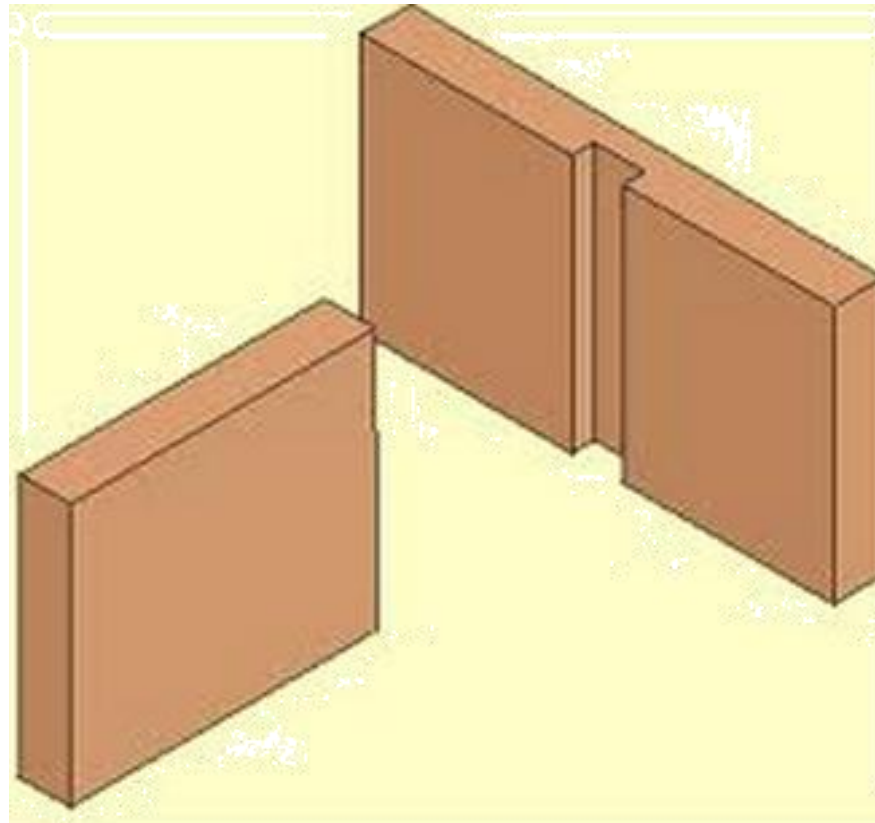
What is the name of this woodwork joint?



What is the name of this woodwork joint?

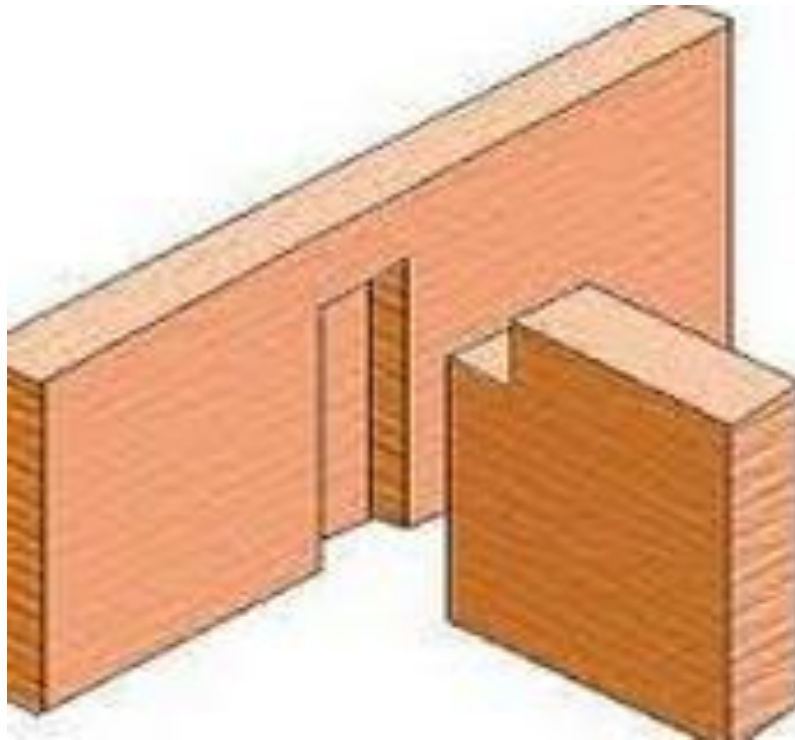


What is the name of this woodwork joint?



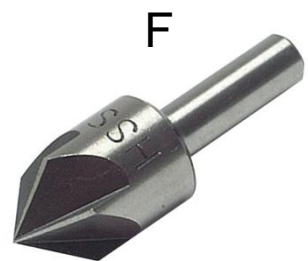
N4/N5 Design & Manufacture Questions
(Wood & Design)

What is the name of this woodwork joint?



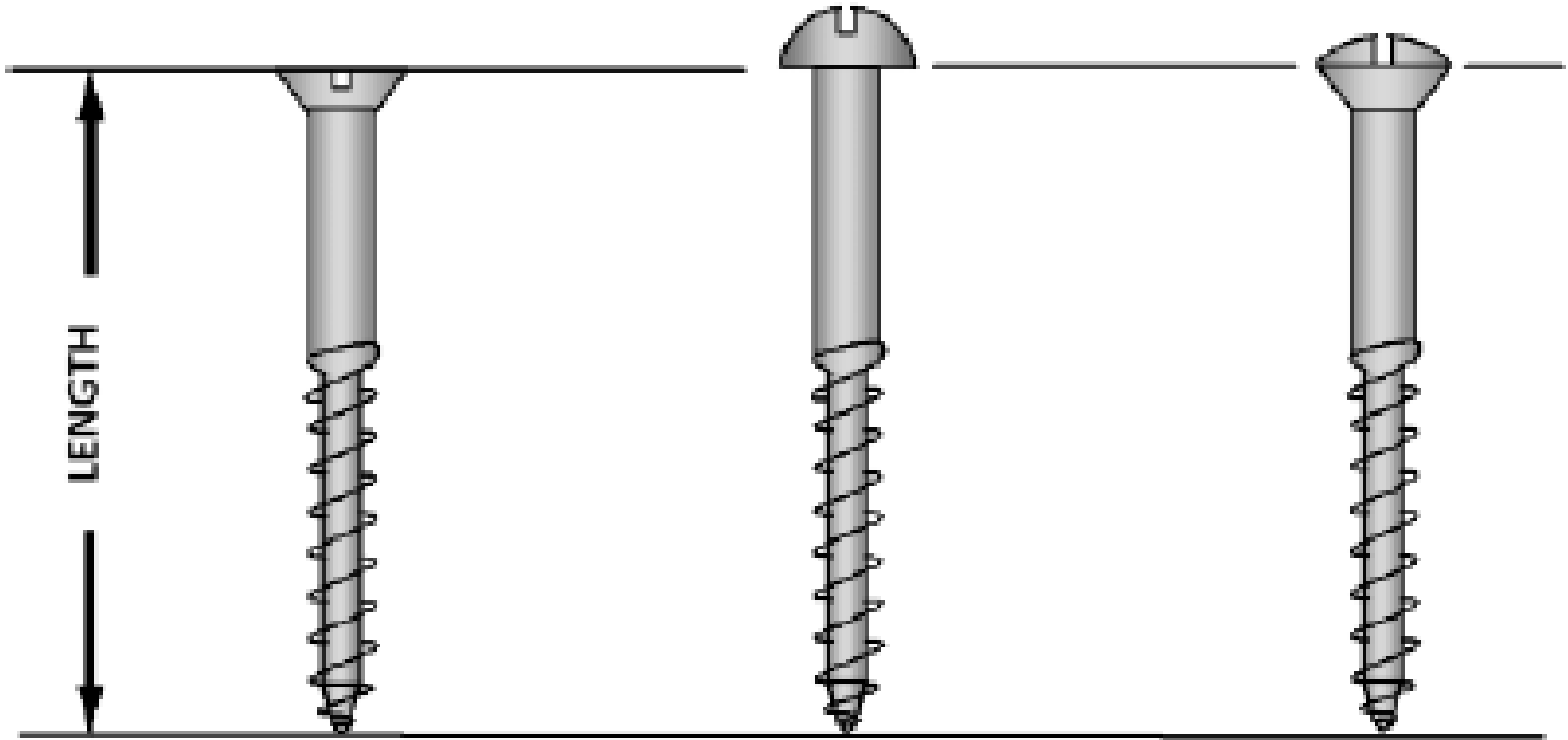
N4/N5 Design & Manufacture Questions
(Wood & Design)

Name any TWO of these drill bits.



N4/N5 Design & Manufacture Questions
(Wood & Design)

Name any one of these wood screws.



What does P.V.A stand for?



N4/N5 Design & Manufacture Questions
(Wood & Design)

What is Dry-Clamping ?



How can you check if this model box is perfectly square?



N4/N5 Design & Manufacture Questions
(Wood & Design)

What are Knock Down Fittings?



What are TWO advantages of flat pack furniture for the buyer?



N4/N5 Design & Manufacture Questions
(Wood & Design)

What are TWO disadvantages of flat pack furniture?



N4/N5 Design & Manufacture Questions
(Wood & Design)

What are TWO advantages of flat pack furniture for the seller?



What is an advantage of using clear varnish compared to paint.



v



Explain the techniques used for sanding wood

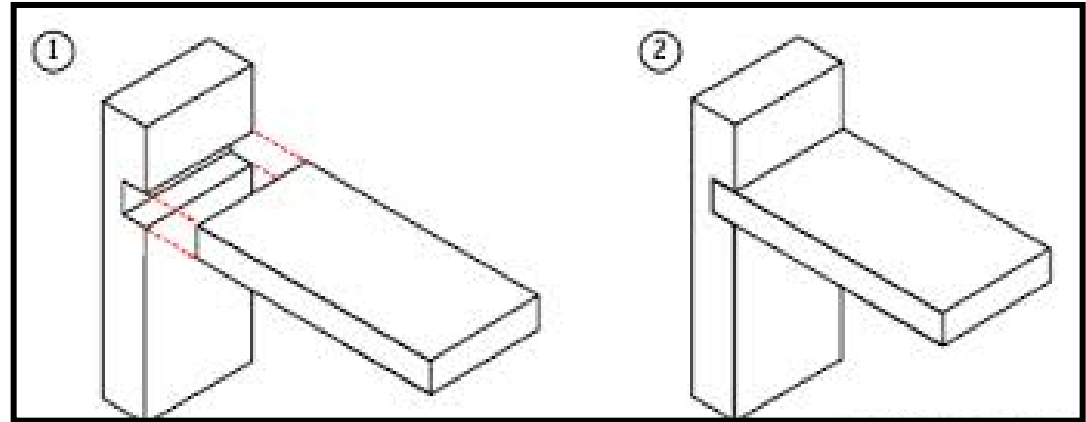


N4/N5 Design & Manufacture Questions
(Wood & Design)

Name THREE different types of finishes which could be used on wood.



Who would you make this Through Housing Joint?



N4/N5 Design & Manufacture Questions
(Wood & Design)