



# Calderglen High School

## Technology Department

# CAD Commands

## Homework

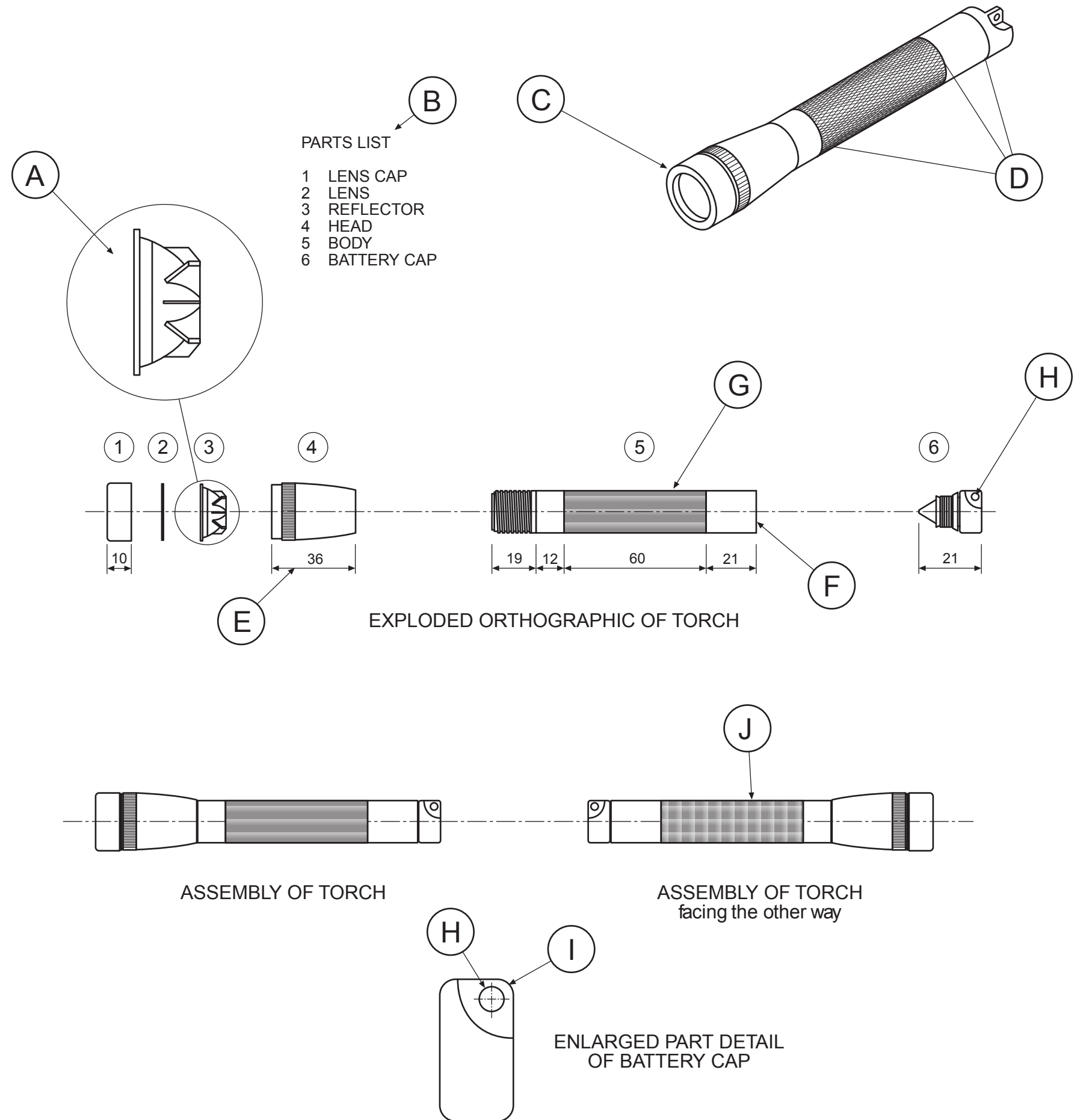


Powerpoint 4  
will help you  
with this section

Homework to be completed on time  
and returned in homework jotter.

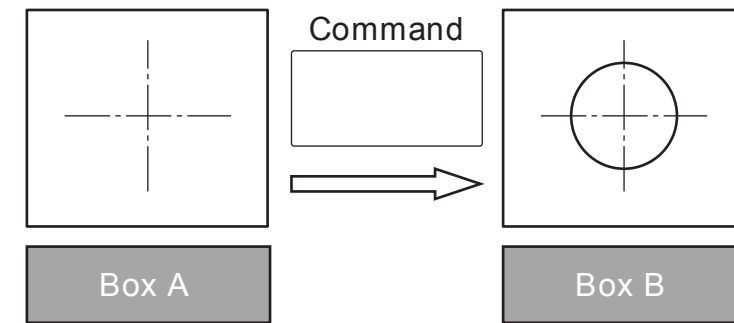
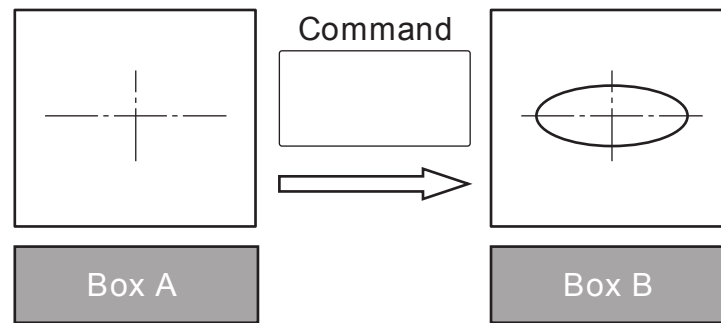
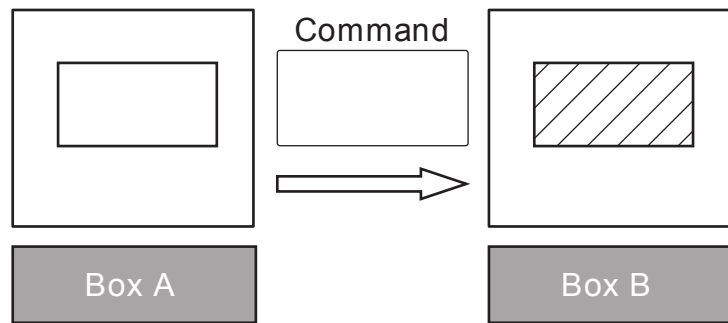
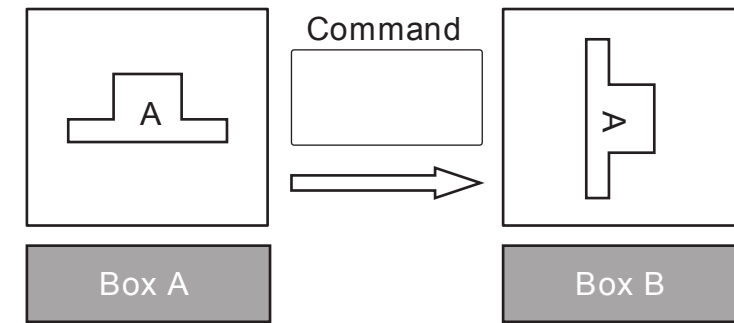
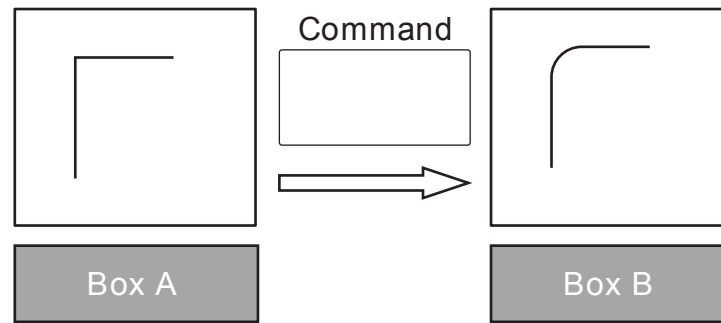
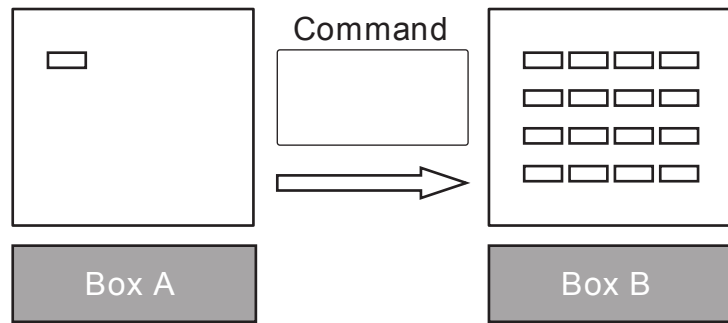
Drawings of a metal bodied torch are shown opposite. State the single CAD command that would be used to create the following details.

- (a) To draw the enlarged feature at A  
Command .....
- (b) To create the parts list at B  
Command .....
- (c) To draw the curved feature at C  
Command .....
- (d) To draw the three identical curves shown at D  
Command .....
- (e) To add the size at E  
Command .....
- (f) To draw the straight line at F  
Command .....
- (g) To draw the pattern at G  
Command .....
- (h) To draw the feature at H  
Command .....
- (i) To draw the curved feature at I  
Command .....
- (j) To draw the assembly of the torch facing the other way at J  
Command .....



The use of CAD systems is now well established in many different industries that use graphics.

(a) Look at the features shown in Box A and, in the box provided, state the single CAD command that could be used to change the feature to what is shown in Box B.



KI 6

(b) State the names of two devices that could be used to obtain hard copies of drawings produced using a CAD system.

Device .....

Device .....

KI 2

(c) (i) Explain what is meant by the term to back-up when applied to work done using CAD.

Explanation .....

.....

(ii) State why it is good practice to make a back-up.

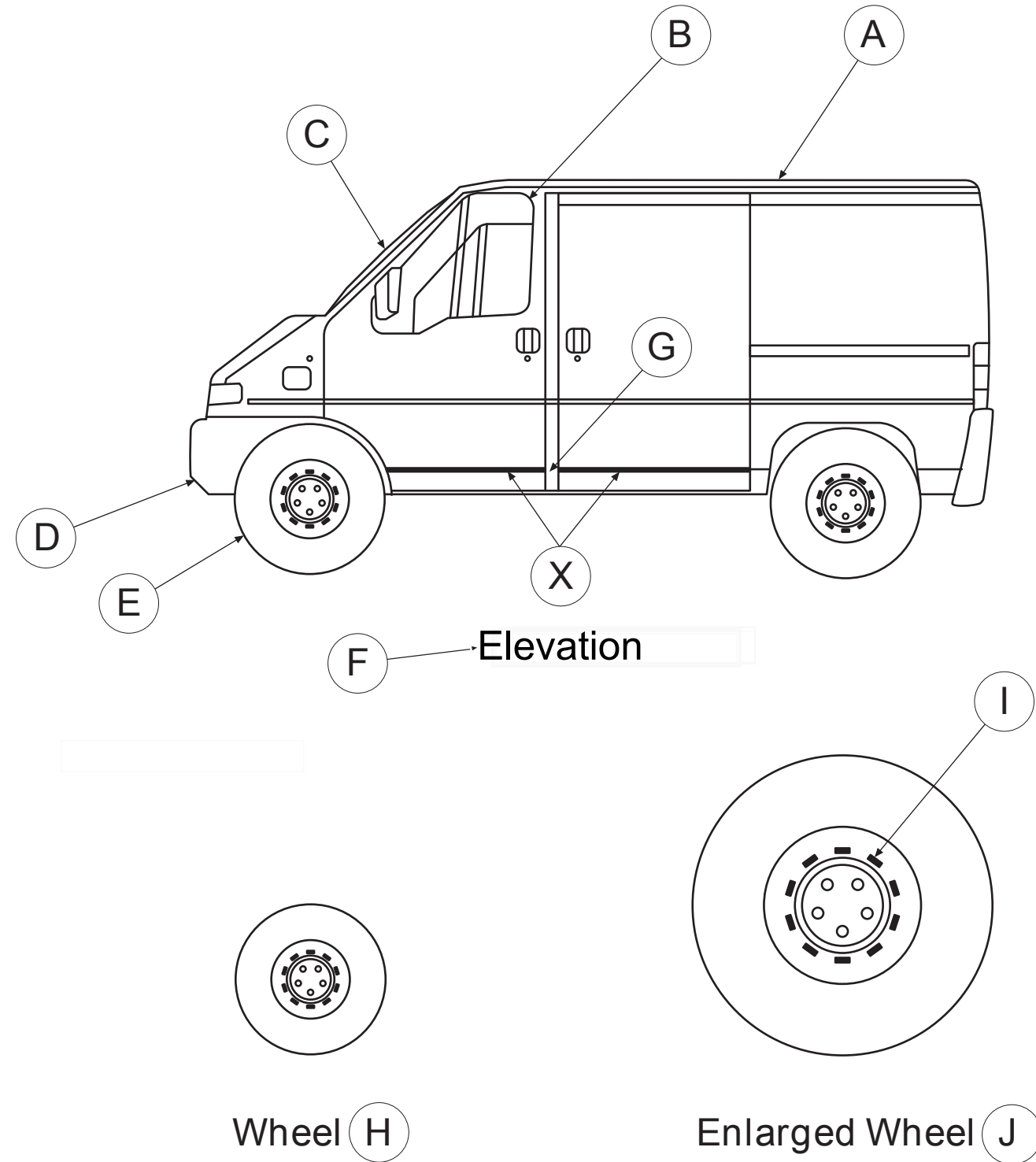
Reason .....

.....

KI 2

Drawings of a van are shown opposite. State the single CAD command that would be used to create the following details.

- (a) The straight edge shown at A.  
Command .....
- (b) The rounded corner shown at B.  
Command .....
- (c) The curved surface shown at C.  
Command .....
- (d) The angled corner shown at D.  
Command .....
- (e) The circumference of the wheel shown at E.  
Command .....
- (f) The name of the view shown at F.  
Command .....
- (g) The gap in the line X shown at G.  
Command .....
- (h) The identical wheel shown at H.  
Command .....
- (i) The identical features around the wheel shown at I.  
Command .....
- (j) The enlarged view of the wheel shown at J.  
Command .....



The following drawings show the results of applying 9 CAD commands.  
 State the single CAD command used in each case.

